



Wind Turbine-Angel Series 200W, 300W, 400W

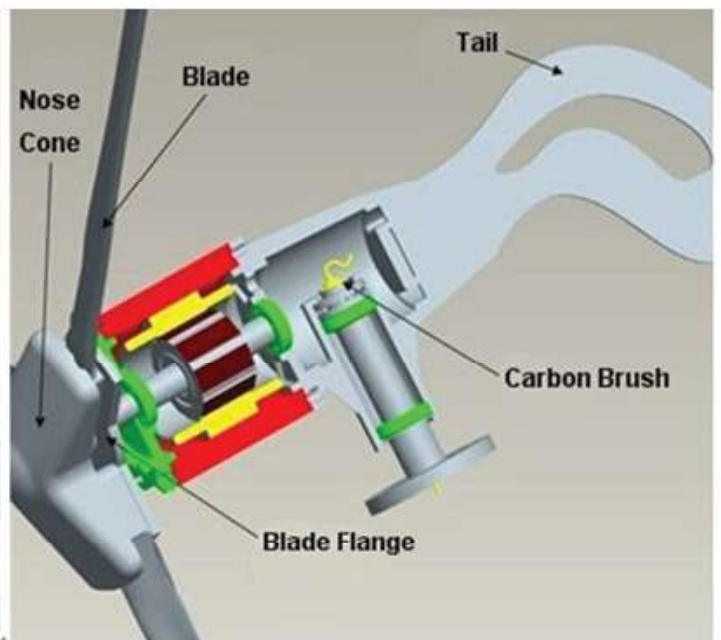
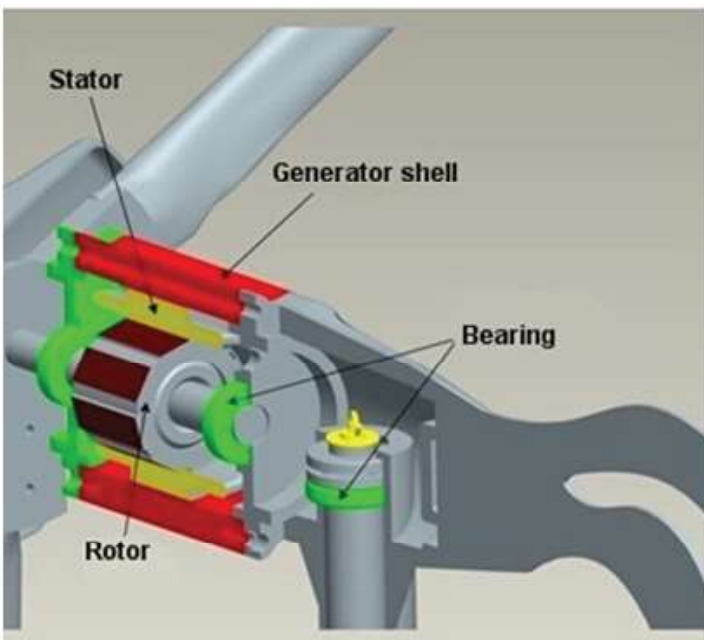
Angel Series from 200w to 400w, small wind turbine with magnetic saturation patent technology. Its easy to install, and generator is small volume only weight of 7-8.5kg, this weight is half of other same power product .

Low start up wind speed, only 2m/s, and low rated wind speed design only 7-8m/s.



FEATURES:

1. 1.5 ~ 2m/s start up wind speed with low torque starting technique applied.
2. The design of blades: The blade casted into molding at one time with balance up to 99%.
3. Light generators (only 7.5kg for 200W/300W, 8.5kg for 400W) make the installation easier and cheaper.
4. The turbine tail and yawing part (nylon and fiberglass materials with high strength) processed with reinforced ribs, enhance the reliability and can withstand the typhoon.
5. Carbon brush casted into molding at one time, it can reduce the contact resistance effectively and the lifetime is up to 100000 times. (Patent No.:200920265082.7)

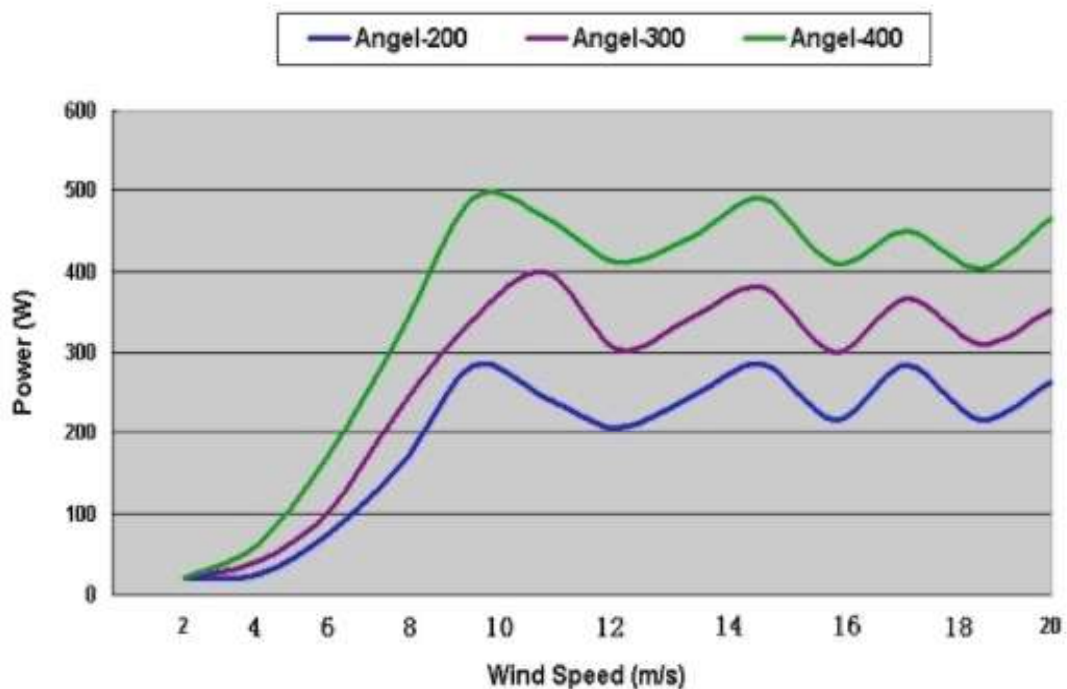


Wind Turbine-Angel Series 200W, 300W, 400W



Technical specification:

Model Number	Angel-200	Angel-300	Angel-400
Rated Power(W)	200W	300W	400W
Rated Voltage(V)	24V/12V	24V/12V	24V/12V
Rotor Diameter(m)	1.44	1.44	1.44
Start up wind speed(m/s)	2	2	2
Rated Wind Speed(m/s)	8	9	10
Security Wind Speed(m/s)	35	35	35
Rated Rotating Rate(rpm)	450	450	420
Blade Material	Engineering plastic		
Blade Quantity	3 (5pcs)	3 (5pcs)	3 (5pcs)



Wind Turbine-FD Series 500W, 600W, 1KW, 2KW, 3KW

Mechanism yawing type wind turbine

OUYAO[®]
Foshan Ouyad Electronic
Co.,Ltd.

Features:

1. Magnetic saturation generator design, 20years designed life. (Patent No.:ZL 2007 2 0010261.7)
2. 2-2.5m/s start-up wind speed under low torque start-up technique. (Patent No.:201020259728.3)
3. Mechanical automatic yawing.
4. Match controller with constant voltage charging, electronic and manual brake, and numeral panel display. (Patent No.:200910213782.6)
5. 500W, 600W and 1KW blades are casted into molding at one time with balance up to 99%.
6. Bearings import from Japan (NSK), long service time (5 years maintenance-free).
7. Magnetic saturation design, the generator coil couldn't burn down because of the increasing power, when generator runs at a super wind speed and saturates automatically.
8. Low cut in wind speed (3m/s) to guarantee the maximum generation at low wind speed.



Wind Turbine-FD Series

500W, 600W, 1KW, 2KW, 3KW

Technical specification:

Model	FD2.7-500	FD2.6-600	FD3.0-1000	FD3.6-2000	FD4.0-3000
Rated power(W)	500	600	1000	2000	3000
Rated voltage(V)	24	24	48	120	240
Rotor diameter(m)	2.6	2.6	2.9	3.8	4.2
Start-up wind speed(m/s)	2	2	2	2	2
Cut-in wind speed(m/s)	3	3	3	3	3
Rated wind speed(m/s)	8	8	8	9	10
Safety wind speed(m/s)	35	35	35	35	35
Yawing type	Mechanism				
Rated rotating rate(r/m)	380	380	350	300	220
Generator material	Aluminum alloy			Steel	
Blade material	Fiber glass				
Blade quantity	3	3	3	3	3
Guy cable tower	Tower height(m)	6	6	9	9
	Tower thickness(mm)	3.5	3.5	3.5	4.5
	Tower diameter(mm)	89	89	89	165

