

SPS53K0400

Solartech Surface Solar Pump

Performance

Water Head	17.8 - 10.9 m
Daily Water Flow	50 - 400 m ³

Technical Data

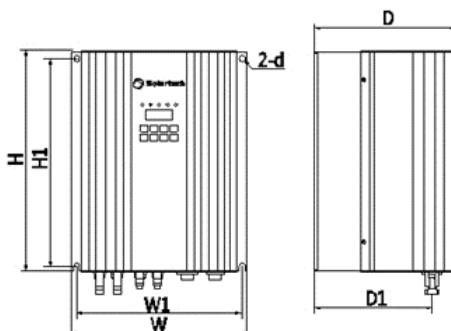
Solar Pumping Inverter Model	PB3700H
Inverter Power	3.7 kW
Max. DC Input Voltage	750V
Recommended MPP Voltage	500 - 600VDC
Inverter Ambient Temp.	-10 ~ 50 °C
Pump Model	SPS5-60-3
Pump Power	3 kW
Pump Specifications	3PH 380V 50Hz
Pump Inlet Dia.	65 mm, 2"1/2
Pump Outlet Dia.	50 mm, 2"
Recommended Inlet Pipe Inner Dia.	75 mm, 3"
Recommended Outlet Pipe Inner Dia.	100 mm, 4"
NPSH	2.0 - 3.6 m
Pump Enclosure Class	IP55
Ambient liquid Temp.	-20 - 100 °C
Max. Pump Ambient Temp.	+40 °C



Dimension, Weight and Material

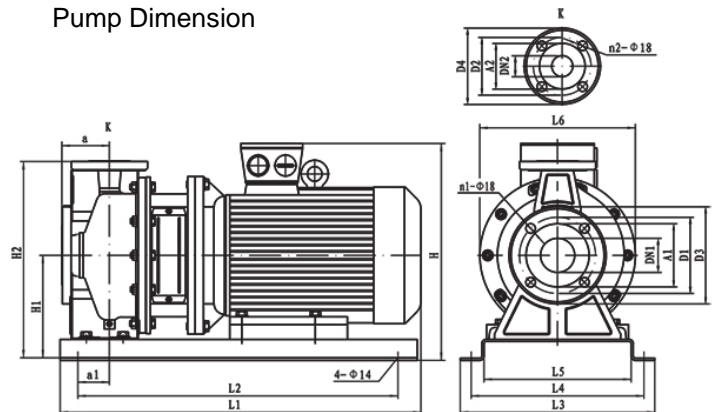
Pump Net Weight	49 kg
Solar Pump Net Weight	56.2 kg
Pump Impeller Material	AISI 304
Pump Body Material	AISI 304
Pump Head Material	Cast Iron

Inverter Dimension

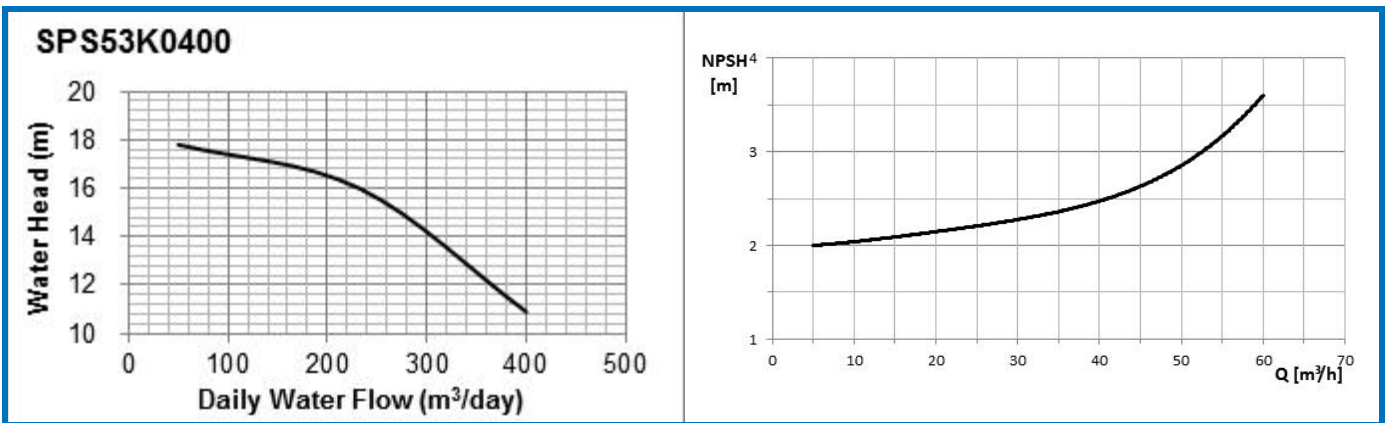


W = 250 mm	W1 = 235 mm
H = 310 mm	H1 = 295 mm
D = 200 mm	D1 = 167 mm
d = 7 mm	

Pump Dimension



DN1 = 65 mm	n1 = 4 mm	L1 = 548 mm
DN2 = 50 mm	n2 = 4 mm	L2 = 468 mm
A1 = 118 mm	a = 86 mm	L3 = 330 mm
A2 = 98 mm	a1 = 45 mm	L4 = 290 mm
D1 = 145 mm	H = 342 mm	L5 = 242 mm
D2 = 125 mm	H1 = 172 mm	L6 = 250 mm
D3 = 185 mm	H2 = 338 mm	
D4 = 160 mm		


Relevant Information

Warranty

Inverter

Pump

3 years

1 year

Standards



EN 61000-6-3:2007+A1:2011

EN 61000-6-1:2007

EN 60335-1:2012

EN 60335-2-41:2003

+A1:2004+A2:2010

*All specifications and information are provided with good intent, products may be subject to change without notice.

V1.0 1607

SPS54K0400

Solartech Surface Solar Pump

Performance

Water Head	24.1 - 15.4 m
Daily Water Flow	50 - 400 m ³

Technical Data

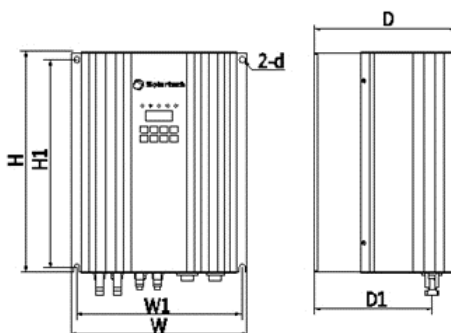
Solar Pumping Inverter Model	PB5500H
Inverter Power	5.5 kW
Max. DC Input Voltage	750V
Recommended MPP Voltage	500 - 600VDC
Inverter Ambient Temp.	-10 ~ 50 °C
Pump Model	SPS5-60-4
Pump Power	4 kW
Pump Specifications	3PH 380V 50Hz
Pump Inlet Dia.	65 mm, 2"1/2
Pump Outlet Dia.	50 mm, 2"
Recommended Inlet Pipe Inner Dia.	75 mm, 3"
Recommended Outlet Pipe Inner Dia.	100 mm, 4"
NPSH	2.0 - 3.6 m
Pump Enclosure Class	IP55
Ambient liquid Temp.	-20 - 100 °C
Max. Pump Ambient Temp.	+40 °C



Dimension, Weight and Material

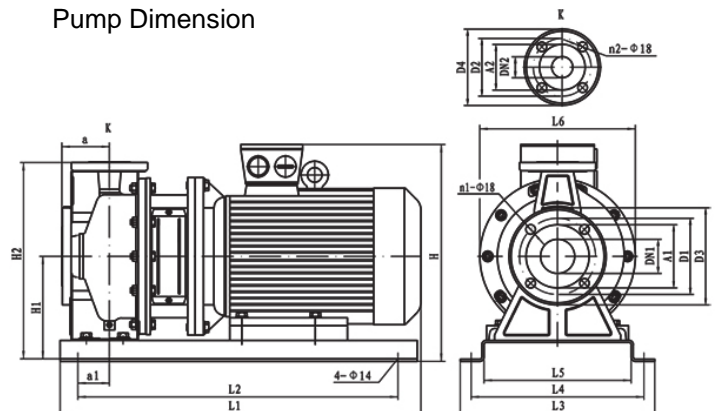
Pump Net Weight	54 kg
Solar Pump Net Weight	61.3 kg
Pump Impeller Material	AISI 304
Pump Body Material	AISI 304
Pump Head Material	Cast Iron

Inverter Dimension

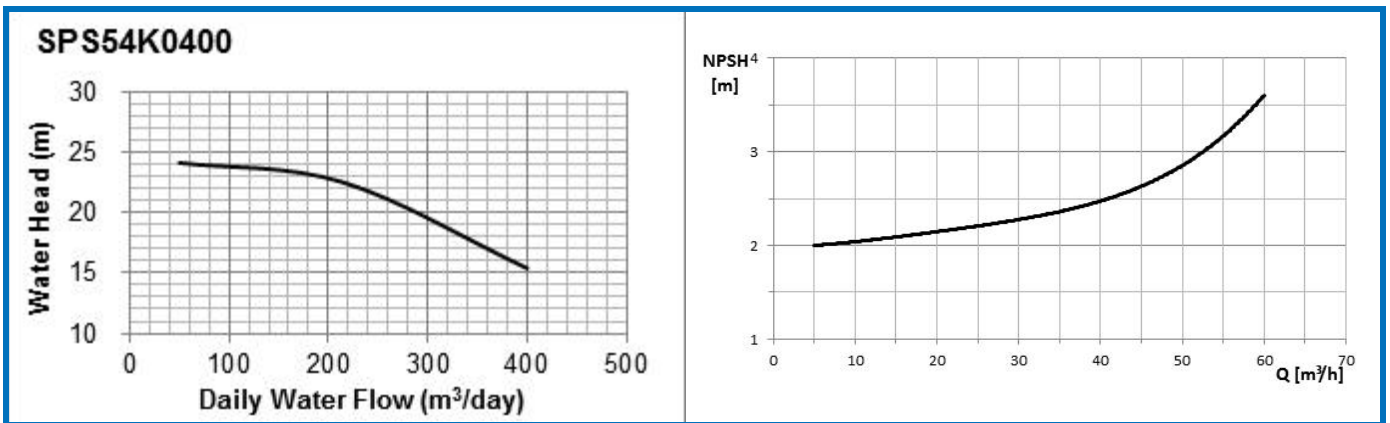


W = 250 mm	W1 = 235 mm
H = 310 mm	H1 = 295 mm
D = 200 mm	D1 = 167 mm
d = 7 mm	

Pump Dimension



DN1 = 65 mm	n1 = 4 mm	L1 = 570 mm
DN2 = 50 mm	n2 = 4 mm	L2 = 490 mm
A1 = 118 mm	a = 86 mm	L3 = 330 mm
A2 = 98 mm	a1 = 45 mm	L4 = 290 mm
D1 = 145 mm	H = 365 mm	L5 = 242 mm
D2 = 125 mm	H1 = 172 mm	L6 = 250 mm
D3 = 185 mm	H2 = 338 mm	
D4 = 160 mm		


Relevant Information

Warranty

Inverter

Pump

3 years

1 year

Standards



EN 61000-6-3:2007+A1:2011

EN 61000-6-1:2007

EN 60335-1:2012

EN 60335-2-41:2003

+A1:2004+A2:2010

*All specifications and information are provided with good intent, products may be subject to change without notice.

SPS65K5400

Solartech Surface Solar Pump

Performance

Water Head	31.5 - 21.2 m
Daily Water Flow	50 - 400 m ³

Technical Data

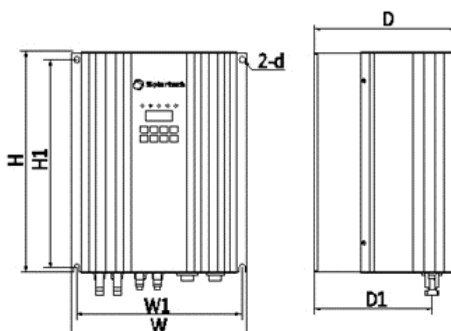
Solar Pumping Inverter Model	PB7500H
Inverter Power	7.5 kW
Max. DC Input Voltage	750V
Recommended MPP Voltage	500 - 600VDC
Inverter Ambient Temp.	-10 ~ 50 °C
Pump Model	SPS6-60-5.5
Pump Power	5.5 kW
Pump Specifications	3PH 380V 50Hz
Pump Inlet Dia.	65 mm, 2"1/2
Pump Outlet Dia.	50 mm, 2"
Recommended Inlet Pipe Inner Dia.	75 mm, 3"
Recommended Outlet Pipe Inner Dia.	100 mm, 4"
NPSH	2.0 - 4.5 m
Pump Enclosure Class	IP55
Ambient liquid Temp.	-20 - 100 °C
Max. Pump Ambient Temp.	+40 °C



Dimension, Weight and Material

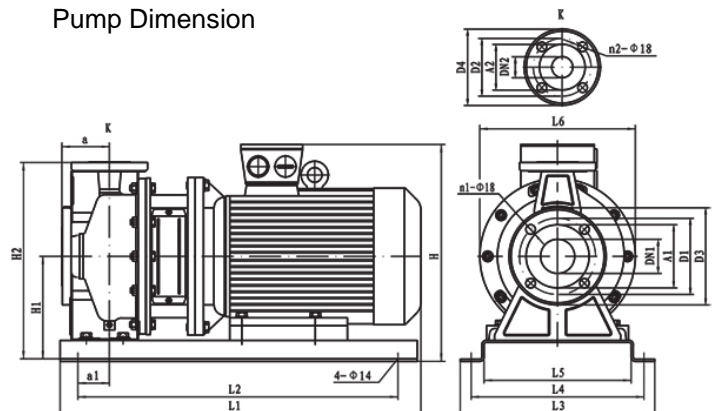
Pump Net Weight	78 kg
Solar Pump Net Weight	85.7 kg
Pump Impeller Material	AISI 304
Pump Body Material	AISI 304
Pump Head Material	Cast Iron

Inverter Dimension

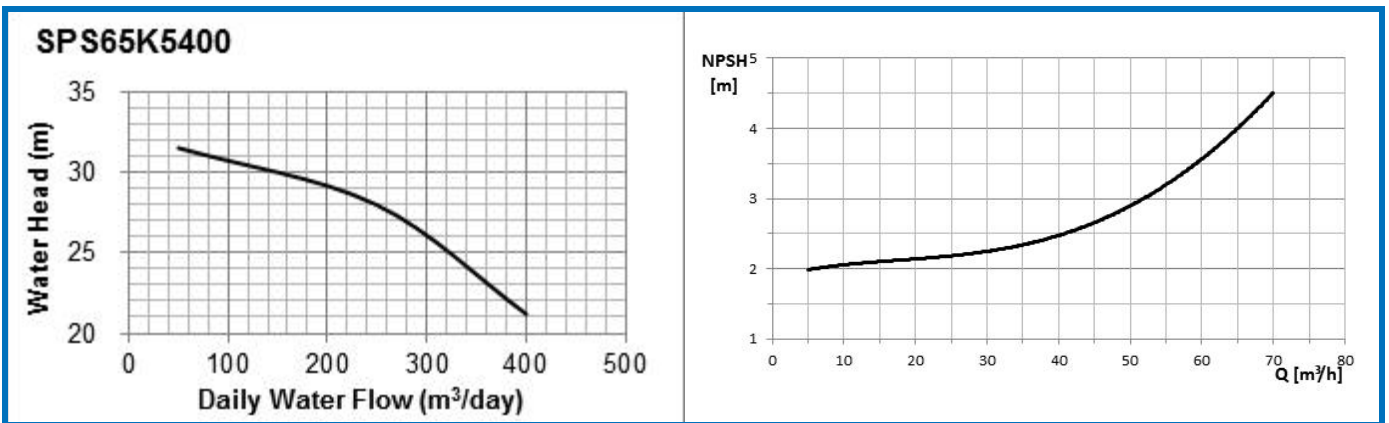


W = 250 mm	W1 = 235 mm
H = 310 mm	H1 = 295 mm
D = 200 mm	D1 = 167 mm
d = 7 mm	

Pump Dimension



DN1 = 65 mm	n1 = 4 mm	L1 = 680 mm
DN2 = 50 mm	n2 = 4 mm	L2 = 580 mm
A1 = 118 mm	a = 100 mm	L3 = 370 mm
A2 = 98 mm	a1 = 50 mm	L4 = 330 mm
D1 = 145 mm	H = 413 mm	L5 = 280 mm
D2 = 125 mm	H1 = 200 mm	L6 = 300 mm
D3 = 185 mm	H2 = 380 mm	
D4 = 160 mm		


Relevant Information

Warranty

Inverter

Pump

3 years

1 year

Standards



EN 61000-6-3:2007+A1:2011

EN 61000-6-1:2007

EN 60335-1:2012

EN 60335-2-41:2003

+A1:2004+A2:2010

*All specifications and information are provided with good intent, products may be subject to change without notice.

V1.0 1607

SPS87K5400

Solartech Surface Solar Pump

Performance

Water Head	36.4 - 28.7 m
Daily Water Flow	50 - 400 m ³

Technical Data

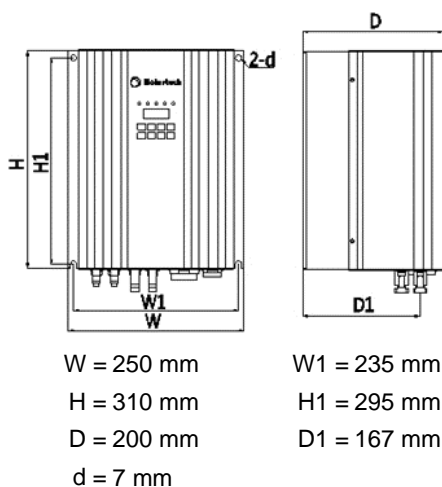
Solar Pumping Inverter Model	PB11KH
Inverter Power	11 kW
Max. DC Input Voltage	750V
Recommended MPP Voltage	500 - 600VDC
Inverter Ambient Temp.	-10 ~ 50 °C
Pump Model	SPS6-60-7.5
Pump Power	7.5 kW
Pump Specifications	3PH 380V 50Hz
Pump Inlet Dia.	65 mm, 2"1/2
Pump Outlet Dia.	50 mm, 2"
Recommended Inlet Pipe Iner Dia.	75 mm, 3"
Recommended Outlet Pipe Iner Dia.	100 mm, 4"
NPSH	2.0 - 4.5 m
Pump Enclosure Class	IP55
Ambient liquid Temp.	-20 - 100 °C
Max. Pump Ambient Temp.	+40 °C



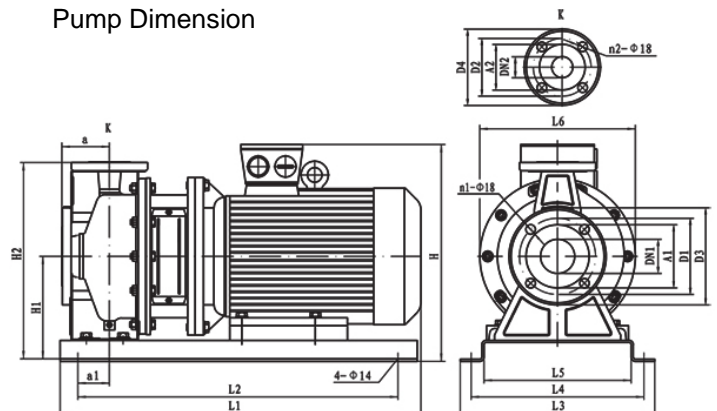
Dimension, Weight and Material

Pump Net Weight	82 kg
Solar Pump Net Weight	90.2 kg
Pump Impeller Material	AISI 304
Pump Body Material	AISI 304
Pump Head Material	Cast Iron

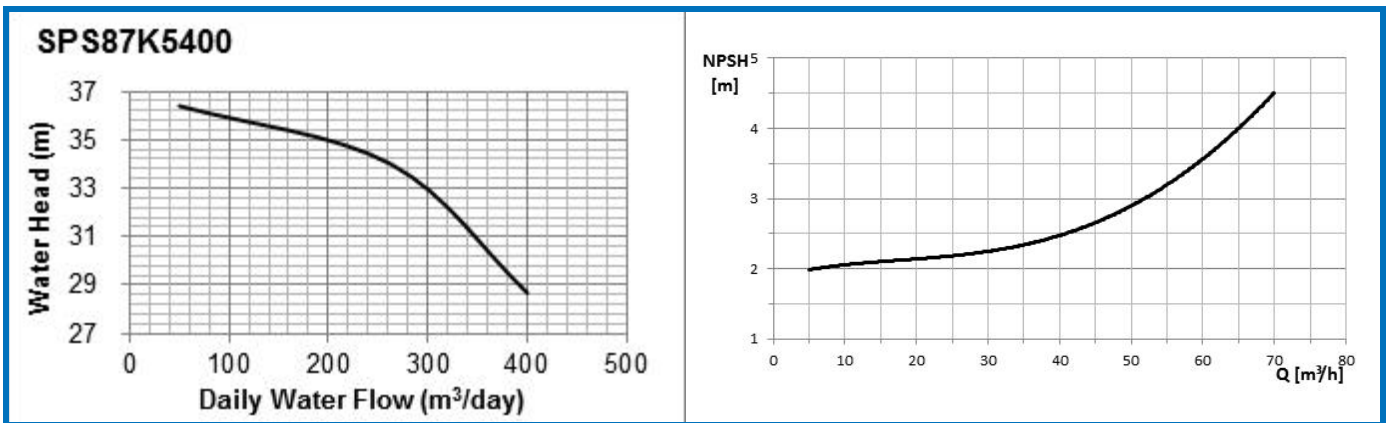
Inverter Dimension



Pump Dimension



DN1 = 65 mm	n1 = 4 mm	L1 = 680 mm
DN2 = 50 mm	n2 = 4 mm	L2 = 580 mm
A1 = 118 mm	a = 100 mm	L3 = 370 mm
A2 = 98 mm	a1 = 50 mm	L4 = 330 mm
D1 = 145 mm	H = 413 mm	L5 = 280 mm
D2 = 125 mm	H1 = 200 mm	L6 = 300 mm
D3 = 185 mm	H2 = 380 mm	
D4 = 160 mm		


Relevant Information

Warranty

Inverter

Pump

3 years

1 year

Standards



EN 61000-6-3:2007+A1:2011

EN 61000-6-1:2007

EN 60335-1:2012

EN 60335-2-41:2003

+A1:2004+A2:2010

*All specifications and information are provided with good intent, products may be subject to change without notice.

V1.0 1607

SPS89K2400

Solartech Surface Solar Pump

Performance

Water Head	43.5 - 35.5 m
Daily Water Flow	50 - 400 m ³

Technical Data

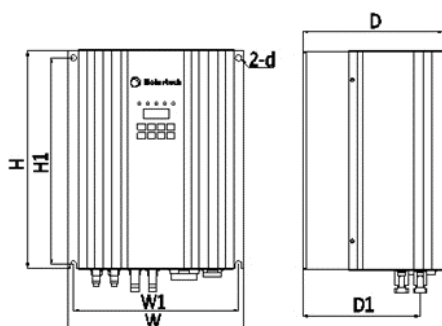
Solar Pumping Inverter Model	PB11KH
Inverter Power	11 kW
Max. DC Input Voltage	750V
Recommended MPP Voltage	500 - 600VDC
Inverter Ambient Temp.	-10 ~ 50 °C
Pump Model	SPS8-60-9.2
Pump Power	9.2 kW
Pump Specifications	3PH 380V 50Hz
Pump Inlet Dia.	65 mm, 2"1/2
Pump Outlet Dia.	50 mm, 2"
Recommended Inlet Pipe Iner Dia.	75 mm, 3"
Recommended Outlet Pipe Iner Dia.	100 mm, 4"
NPSH	2.0 - 4.5 m
Pump Enclosure Class	IP55
Ambient liquid Temp.	-20 - 100 °C
Max. Pump Ambient Temp.	+40 °C



Dimension, Weight and Material

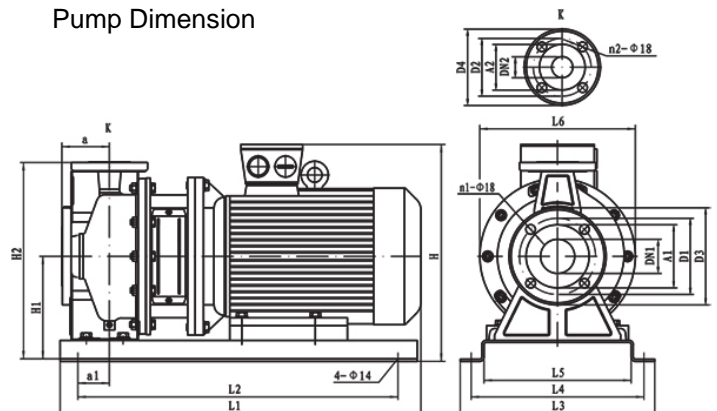
Pump Net Weight	85 kg
Solar Pump Net Weight	93.2 kg
Pump Impeller Material	AISI 304
Pump Body Material	AISI 304
Pump Head Material	Cast Iron

Inverter Dimension

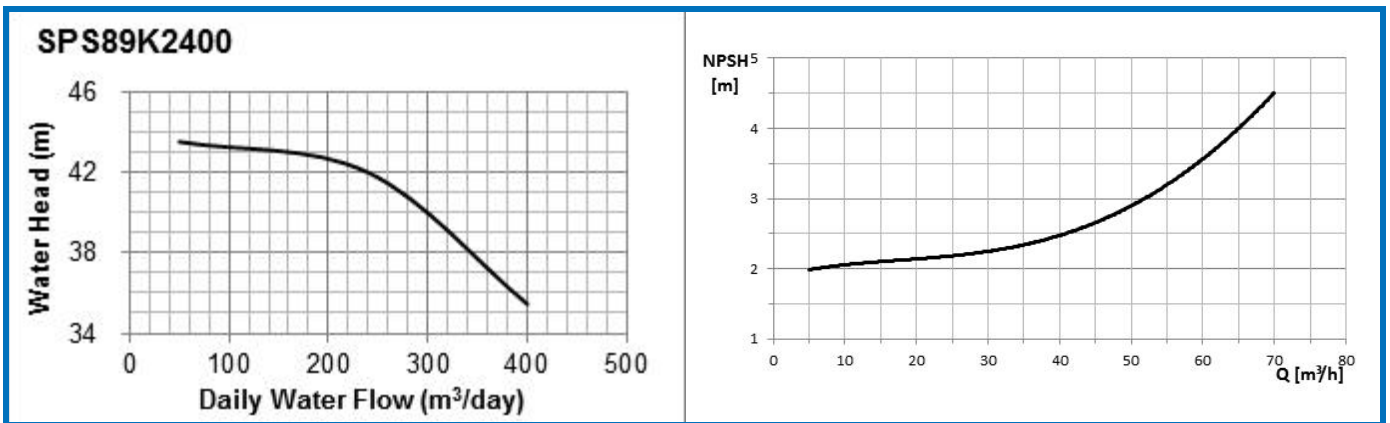


W = 250 mm	W1 = 235 mm
H = 310 mm	H1 = 295 mm
D = 200 mm	D1 = 167 mm
d = 7 mm	

Pump Dimension



DN1 = 65 mm	n1 = 4 mm	L1 = 680 mm
DN2 = 50 mm	n2 = 4 mm	L2 = 580 mm
A1 = 118 mm	a = 100 mm	L3 = 370 mm
A2 = 98 mm	a1 = 50 mm	L4 = 330 mm
D1 = 145 mm	H = 413 mm	L5 = 280 mm
D2 = 125 mm	H1 = 200 mm	L6 = 300 mm
D3 = 185 mm	H2 = 380 mm	
D4 = 160 mm		


Relevant Information

Warranty

Inverter

Pump

3 years

1 year

Standards



EN 61000-6-3:2007+A1:2011

EN 61000-6-1:2007

EN 60335-1:2012

EN 60335-2-41:2003

+A1:2004+A2:2010

*All specifications and information are provided with good intent, products may be subject to change without notice.

V1.0 1607

SPS811K400

Solartech Surface Solar Pump

Performance

Water Head	51.3 - 43.7 m
Daily Water Flow	50 - 400 m ³

Technical Data

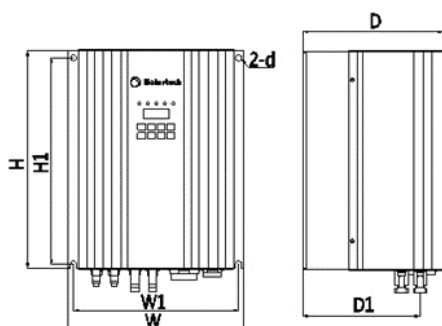
Solar Pumping Inverter Model	PB11KH
Inverter Power	11 kW
Max. DC Input Voltage	750V
Recommended MPP Voltage	500 - 600VDC
Inverter Ambient Temp.	-10 ~ 50 °C
Pump Model	SPS8-60-11
Pump Power	11 kW
Pump Specifications	3PH 380V 50Hz
Pump Inlet Dia.	65 mm, 2"1/2
Pump Outlet Dia.	50 mm, 2"
Recommended Inlet Pipe Inner Dia.	75 mm, 3"
Recommended Outlet Pipe Inner Dia.	100 mm, 4"
NPSH	2.0 - 4.5 m
Pump Enclosure Class	IP55
Ambient liquid Temp.	-20 - 100 °C
Max. Pump Ambient Temp.	+40 °C



Dimension, Weight and Material

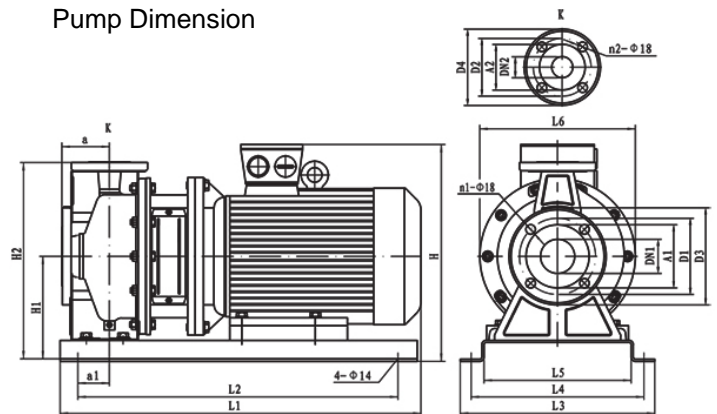
Pump Net Weight	161 kg
Solar Pump Net Weight	169.2 kg
Pump Impeller Material	AISI 304
Pump Body Material	AISI 304
Pump Head Material	Cast Iron

Inverter Dimension

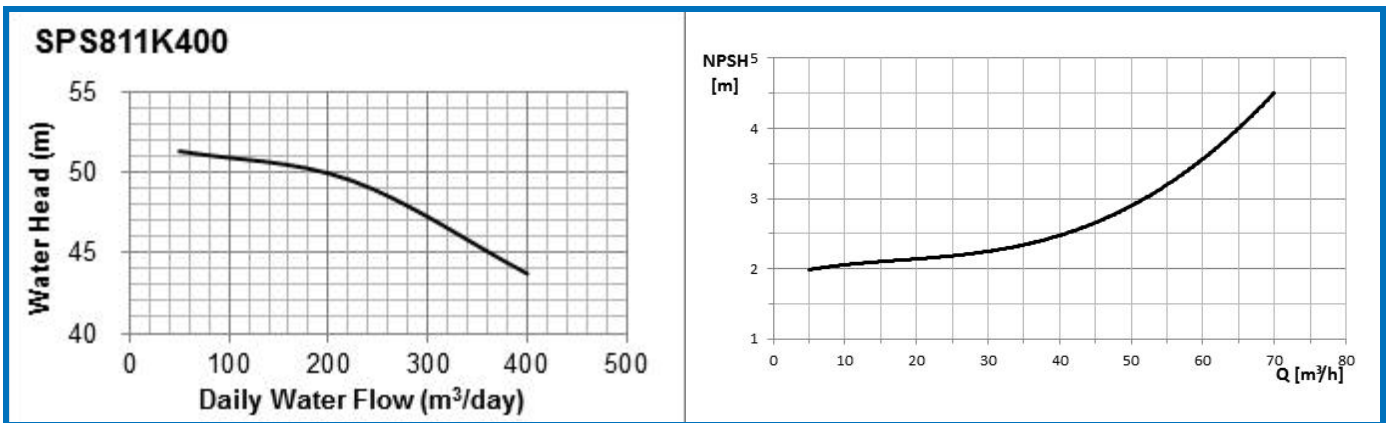


W = 250 mm	W1 = 235 mm
H = 310 mm	H1 = 295 mm
D = 200 mm	D1 = 167 mm
d = 7 mm	

Pump Dimension



DN1 = 65 mm	n1 = 4 mm	L1 = 790 mm
DN2 = 50 mm	n2 = 4 mm	L2 = 690 mm
A1 = 118 mm	a = 100 mm	L3 = 420 mm
A2 = 98 mm	a1 = 50 mm	L4 = 380 mm
D1 = 145 mm	H = 456 mm	L5 = 330 mm
D2 = 125 mm	H1 = 200 mm	L6 = 350 mm
D3 = 185 mm	H2 = 380 mm	
D4 = 160 mm		


Relevant Information

Warranty

Inverter

Pump

3 years

1 year

Standards



EN 61000-6-3:2007+A1:2011

EN 61000-6-1:2007

EN 60335-1:2012

EN 60335-2-41:2003

+A1:2004+A2:2010

*All specifications and information are provided with good intent, products may be subject to change without notice.

V1.0 1607

SPS815K400

Solartech Surface Solar Pump

Performance

Water Head	59.7 - 55.2 m
Daily Water Flow	50 - 400 m ³

Technical Data

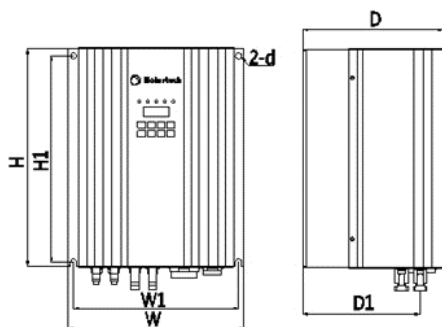
Solar Pumping Inverter Model	PB18KH
Inverter Power	18.5 kW
Max. DC Input Voltage	750V
Recommended MPP Voltage	500 - 600VDC
Inverter Ambient Temp.	-10 ~ 50 °C
Pump Model	SPS8-70-15
Pump Power	15 kW
Pump Specifications	3PH 380V 50Hz
Pump Inlet Dia.	65 mm, 2"1/2
Pump Outlet Dia.	50 mm, 2"
Recommended Inlet Pipe Inner Dia.	75 mm, 3"
Recommended Outlet Pipe Inner Dia.	125 mm, 5"
NPSH	2.0 - 4.5 m
Pump Enclosure Class	IP55
Ambient liquid Temp.	-20 - 100 °C
Max. Pump Ambient Temp.	+40 °C



Dimension, Weight and Material

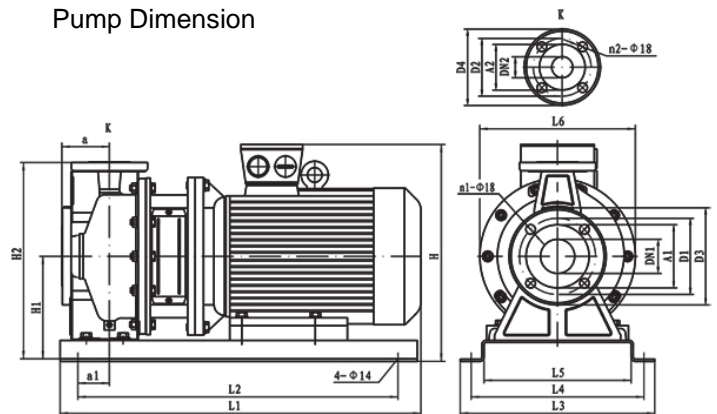
Pump Net Weight	171 kg
Solar Pump Net Weight	179.4 kg
Pump Impeller Material	AISI 304
Pump Body Material	AISI 304
Pump Head Material	Cast Iron

Inverter Dimension

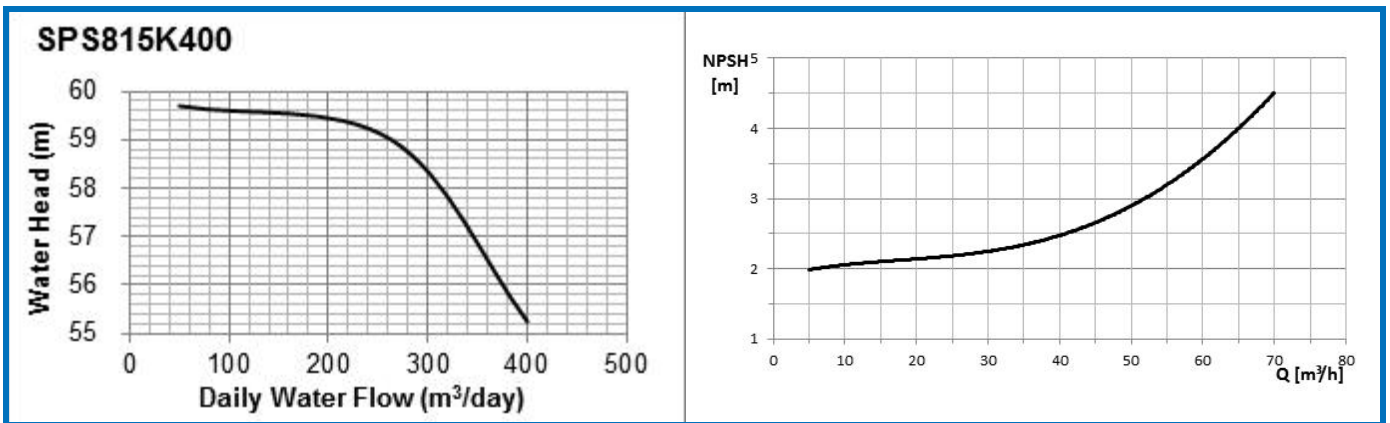


W = 250 mm	W1 = 235 mm
H = 310 mm	H1 = 295 mm
D = 200 mm	D1 = 167 mm
d = 7 mm	

Pump Dimension



DN1 = 65 mm	n1 = 4 mm	L1 = 790 mm
DN2 = 50 mm	n2 = 4 mm	L2 = 690 mm
A1 = 118 mm	a = 100 mm	L3 = 420 mm
A2 = 98 mm	a1 = 50 mm	L4 = 380 mm
D1 = 145 mm	H = 456 mm	L5 = 330 mm
D2 = 125 mm	H1 = 200 mm	L6 = 350 mm
D3 = 185 mm	H2 = 380 mm	
D4 = 160 mm		


Relevant Information

Warranty

Inverter

Pump

3 years

1 year

Standards



EN 61000-6-3:2007+A1:2011

EN 61000-6-1:2007

EN 60335-1:2012

EN 60335-2-41:2003

+A1:2004+A2:2010

*All specifications and information are provided with good intent, products may be subject to change without notice.

SPS818K400

Solartech Surface Solar Pump

Performance

Water Head	70.2 - 65.4 m
Daily Water Flow	50 - 400 m ³

Technical Data

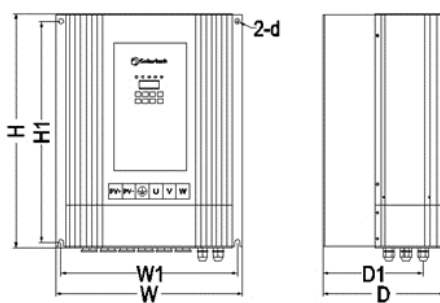
Solar Pumping Inverter Model	PB22KH
Inverter Power	22 kW
Max. DC Input Voltage	750V
Recommended MPP Voltage	500 - 600VDC
Inverter Ambient Temp.	-10 ~ 50 °C
Pump Model	SPS8-70-18.5
Pump Power	18.5 kW
Pump Specifications	3PH 380V 50Hz
Pump Inlet Dia.	65 mm, 2"1/2
Pump Outlet Dia.	50 mm, 2"
Recommended Inlet Pipe Iner Dia.	75 mm, 3"
Recommended Outlet Pipe Iner Dia.	125 mm, 5"
NPSH	2.0 - 4.5 m
Pump Enclosure Class	IP55
Ambient liquid Temp.	-20 - 100 °C
Max. Pump Ambient Temp.	+40 °C



Dimension, Weight and Material

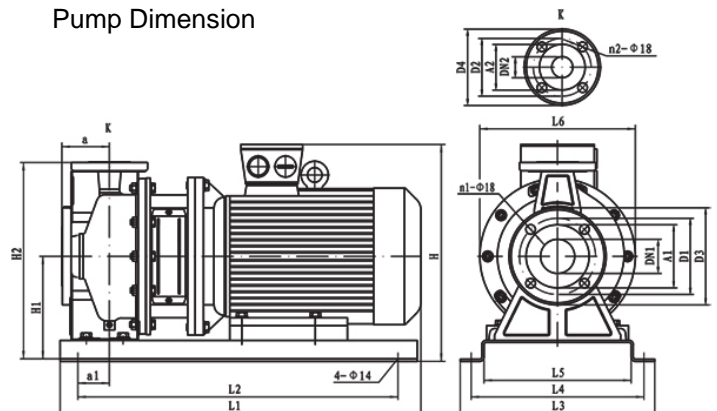
Pump Net Weight	188 kg
Solar Pump Net Weight	206 kg
Pump Impeller Material	AISI 304
Pump Body Material	AISI 304
Pump Head Material	Cast Iron

Inverter Dimension

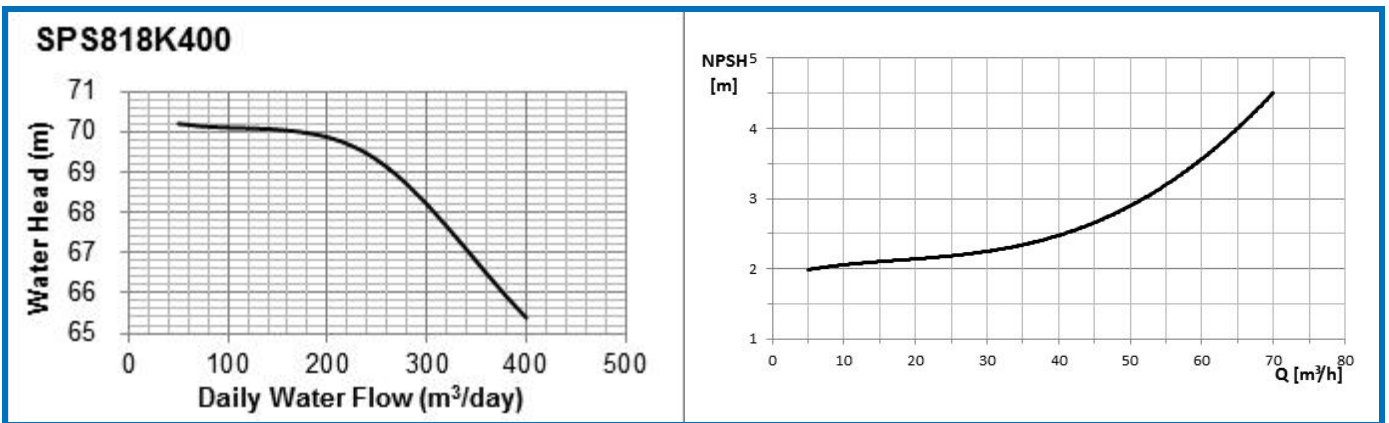


W = 360 mm	W1 = 340 mm
H = 450 mm	H1 = 425 mm
D = 235 mm	D1 = 195 mm
d = 10 mm	

Pump Dimension



DN1 = 65 mm	n1 = 4 mm	L1 = 830 mm
DN2 = 50 mm	n2 = 4 mm	L2 = 730 mm
A1 = 118 mm	a = 100 mm	L3 = 420 mm
A2 = 98 mm	a1 = 50 mm	L4 = 380 mm
D1 = 145 mm	H = 456 mm	L5 = 330 mm
D2 = 125 mm	H1 = 200 mm	L6 = 350 mm
D3 = 185 mm	H2 = 380 mm	
D4 = 160 mm		


Relevant Information

Warranty

Inverter

Pump

3 years

1 year

Standards



EN 61000-6-3:2007+A1:2011

EN 61000-6-1:2007

EN 60335-1:2012

EN 60335-2-41:2003

+A1:2004+A2:2010

*All specifications and information are provided with good intent, products may be subject to change without notice.

V1.0 1607

SPS55K5900

Solartech Surface Solar Pump

Performance

Water Head	18.2 - 11.4 m
Daily Water Flow	400 - 800 m ³

Technical Data

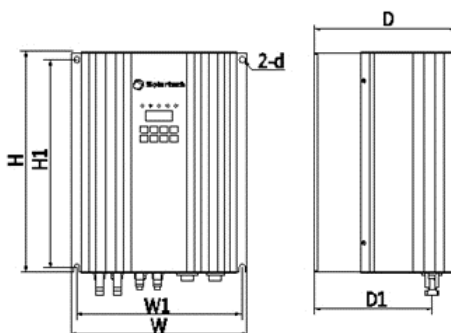
Solar Pumping Inverter Model	PB5500H
Inverter Power	5.5 kW
Max. DC Input Voltage	750V
Recommended MPP Voltage	500 - 600VDC
Inverter Ambient Temp.	-10 ~ 50 °C
Pump Model	SPS5-120-5.5
Pump Power	5.5 kW
Pump Specifications	3PH 380V 50Hz
Pump Inlet Dia.	80 mm, 3"1/4
Pump Outlet Dia.	65 mm, 2"1/2
Recommended Inlet Pipe Inner Dia.	90 mm, 3"1/2
Recommended Outlet Pipe Inner Dia.	150 mm, 6"
NPSH	2.5 - 3.6 m
Pump Enclosure Class	IP55
Ambient liquid Temp.	-20 - 100 °C
Max. Pump Ambient Temp.	+40 °C



Dimension, Weight and Material

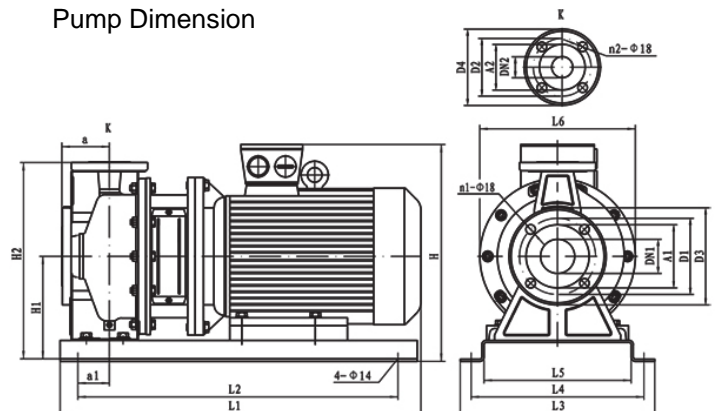
Pump Net Weight	79 kg
Solar Pump Net Weight	86.3 kg
Pump Impeller Material	AISI 304
Pump Body Material	AISI 304
Pump Head Material	Cast Iron

Inverter Dimension

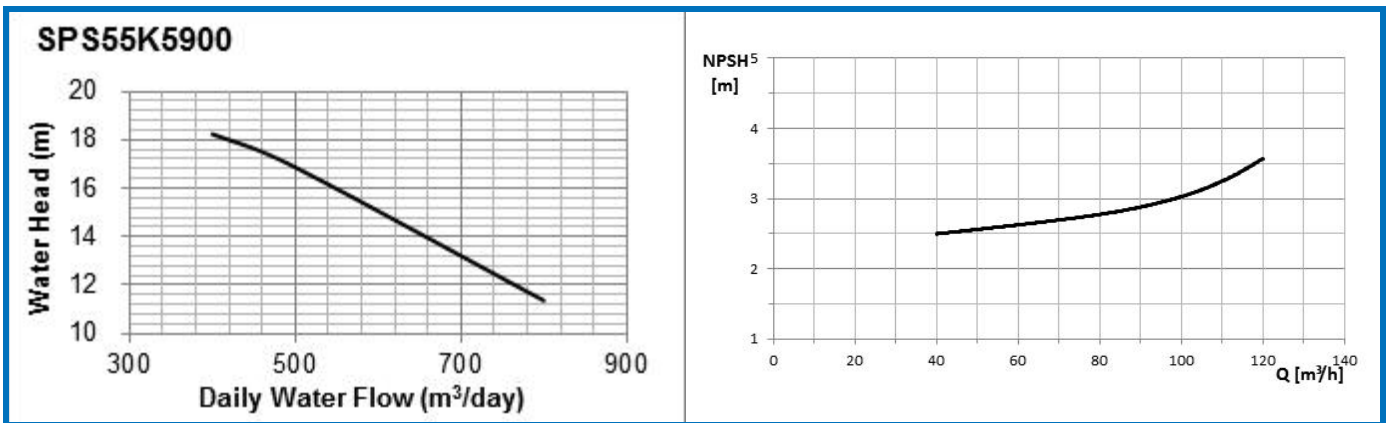


W = 250 mm	W1 = 235 mm
H = 310 mm	H1 = 295 mm
D = 200 mm	D1 = 167 mm
d = 7 mm	

Pump Dimension



DN1 = 80 mm	n1 = 8 mm	L1 = 690 mm
DN2 = 65 mm	n2 = 4 mm	L2 = 590 mm
A1 = 130 mm	a = 100 mm	L3 = 370 mm
A2 = 118 mm	a1 = 50 mm	L4 = 330 mm
D1 = 160 mm	H = 413 mm	L5 = 280 mm
D2 = 145 mm	H1 = 200 mm	L6 = 300 mm
D3 = 200 mm	H2 = 380 mm	
D4 = 185 mm		


Relevant Information

Warranty

Inverter

Pump

3 years

1 year

Standards



EN 61000-6-3:2007+A1:2011

EN 61000-6-1:2007

EN 60335-1:2012

EN 60335-2-41:2003

+A1:2004+A2:2010

*All specifications and information are provided with good intent, products may be subject to change without notice.

V1.0 1607

SPS57K5900

Solartech Surface Solar Pump

Performance

Water Head	23.6 - 16.3 m
Daily Water Flow	400 - 800 m ³

Technical Data

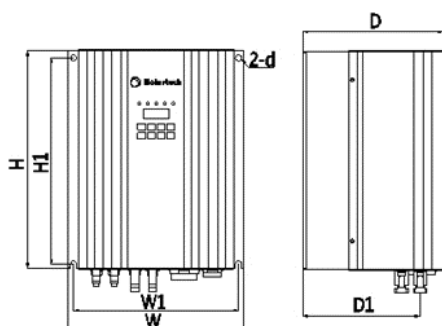
Solar Pumping Inverter Model	PB11KH
Inverter Power	11 kW
Max. DC Input Voltage	750V
Recommended MPP Voltage	500 - 600VDC
Inverter Ambient Temp.	-10 ~ 50 °C
Pump Model	SPS5-120-7.5
Pump Power	7.5 kW
Pump Specifications	3PH 380V 50Hz
Pump Inlet Dia.	80 mm, 3"1/4
Pump Outlet Dia.	65 mm, 2"1/2
Recommended Inlet Pipe Iner Dia.	90 mm, 3"1/2
Recommended Outlet Pipe Iner Dia.	150 mm, 6"
NPSH	2.5 - 3.6 m
Pump Enclosure Class	IP55
Ambient liquid Temp.	-20 - 100 °C
Max. Pump Ambient Temp.	+40 °C



Dimension, Weight and Material

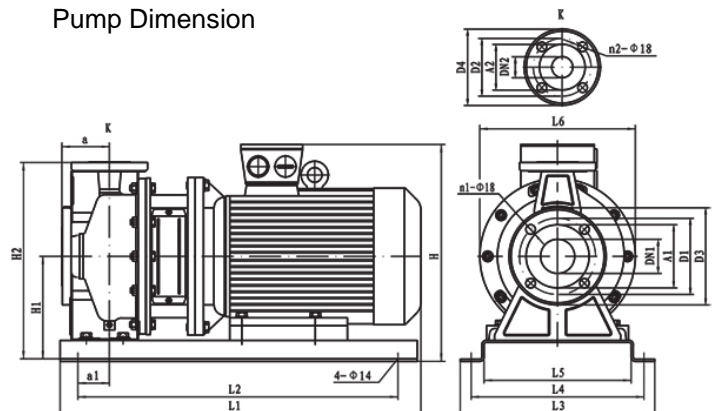
Pump Net Weight	83 kg
Solar Pump Net Weight	91.2 kg
Pump Impeller Material	AISI 304
Pump Body Material	AISI 304
Pump Head Material	Cast Iron

Inverter Dimension

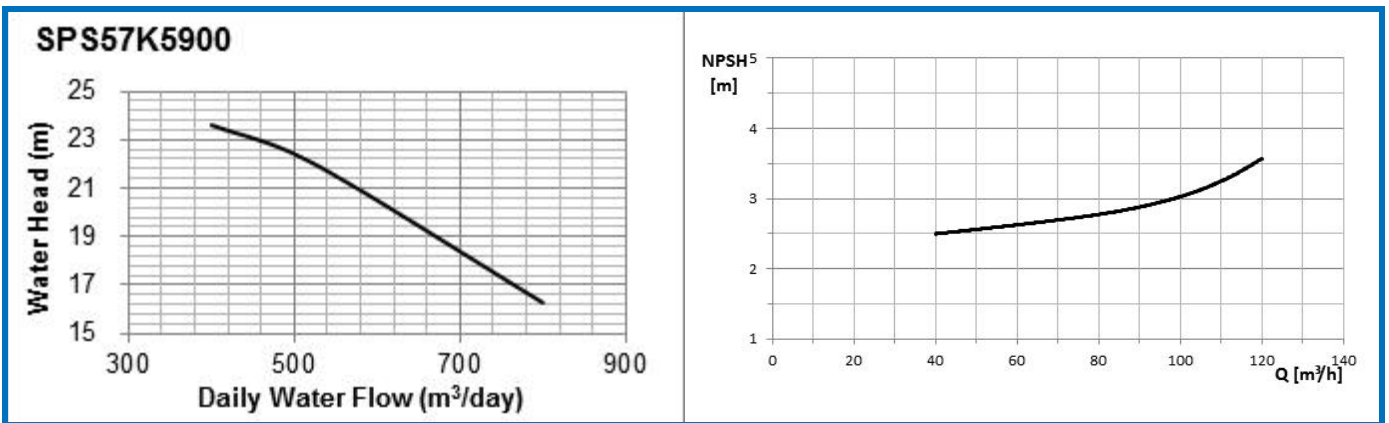


W = 250 mm	W1 = 235 mm
H = 310 mm	H1 = 295 mm
D = 200 mm	D1 = 167 mm
d = 7 mm	

Pump Dimension



DN1 = 80 mm	n1 = 8 mm	L1 = 690 mm
DN2 = 65 mm	n2 = 4 mm	L2 = 590 mm
A1 = 130 mm	a = 100 mm	L3 = 370 mm
A2 = 118 mm	a1 = 50 mm	L4 = 330 mm
D1 = 160 mm	H = 413 mm	L5 = 280 mm
D2 = 145 mm	H1 = 200 mm	L6 = 300 mm
D3 = 200 mm	H2 = 380 mm	
D4 = 185 mm		


Relevant Information

Warranty

Inverter

Pump

3 years

1 year

Standards



EN 61000-6-3:2007+A1:2011

EN 61000-6-1:2007

EN 60335-1:2012

EN 60335-2-41:2003

+A1:2004+A2:2010

*All specifications and information are provided with good intent, products may be subject to change without notice.

V1.0 1607

SPS59K2900

Solartech Surface Solar Pump

Performance

Water Head	27.7 - 21.5 m
Daily Water Flow	400 - 800 m ³

Technical Data

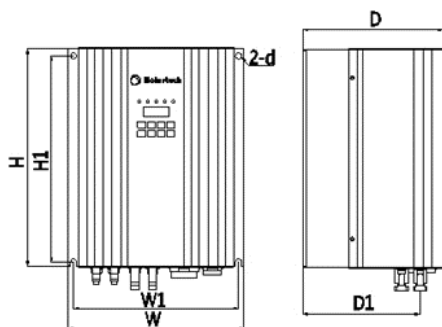
Solar Pumping Inverter Model	PB11KH
Inverter Power	11 kW
Max. DC Input Voltage	750V
Recommended MPP Voltage	500 - 600VDC
Inverter Ambient Temp.	-10 ~ 50 °C
Pump Model	SPS5-130-9.2
Pump Power	9.2 kW
Pump Specifications	3PH 380V 50Hz
Pump Inlet Dia.	80 mm, 3"1/4
Pump Outlet Dia.	65 mm, 2"1/2
Recommended Inlet Pipe Inner Dia.	90 mm, 3"1/2
Recommended Outlet Pipe Inner Dia.	150 mm, 6"
NPSH	2.5 - 3.6 m
Pump Enclosure Class	IP55
Ambient liquid Temp.	-20 - 100 °C
Max. Pump Ambient Temp.	+40 °C



Dimension, Weight and Material

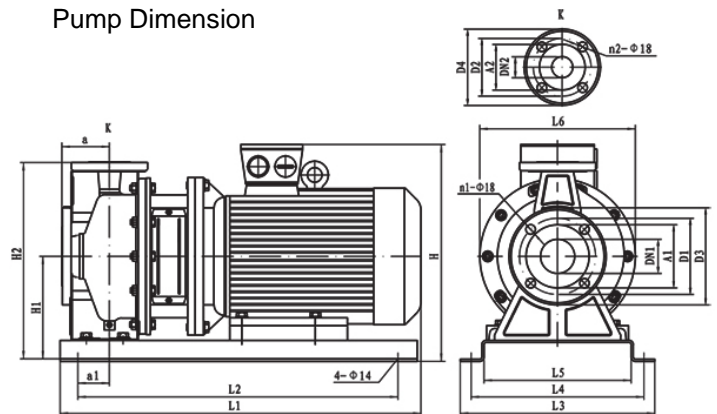
Pump Net Weight	87 kg
Solar Pump Net Weight	95.2 kg
Pump Impeller Material	AISI 304
Pump Body Material	AISI 304
Pump Head Material	Cast Iron

Inverter Dimension

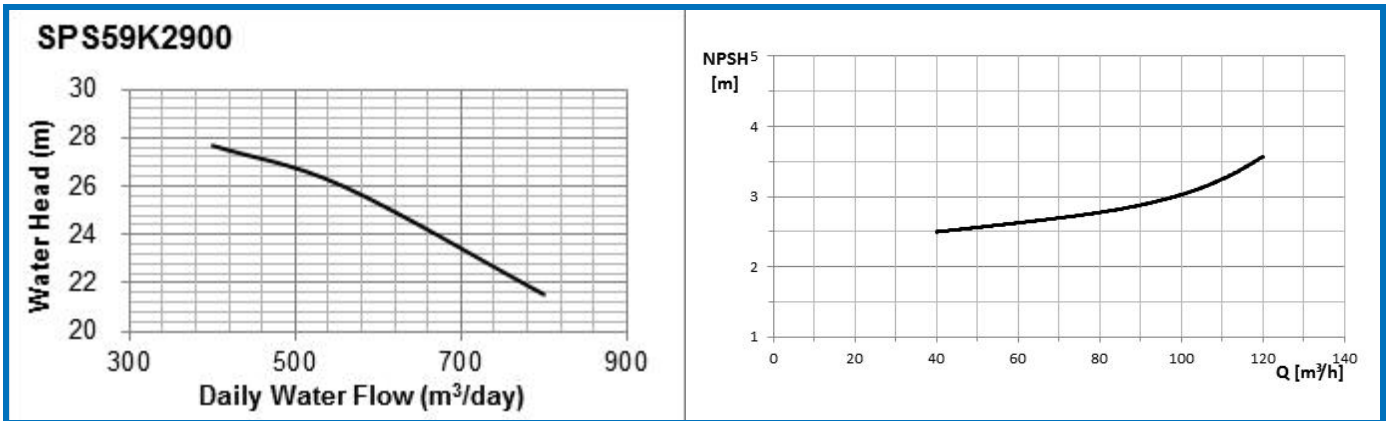


W = 250 mm	W1 = 235 mm
H = 310 mm	H1 = 295 mm
D = 200 mm	D1 = 167 mm
d = 7 mm	

Pump Dimension



DN1 = 80 mm	n1 = 8 mm	L1 = 690 mm
DN2 = 65 mm	n2 = 4 mm	L2 = 590 mm
A1 = 130 mm	a = 100 mm	L3 = 370 mm
A2 = 118 mm	a1 = 50 mm	L4 = 330 mm
D1 = 160 mm	H = 413 mm	L5 = 280 mm
D2 = 145 mm	H1 = 200 mm	L6 = 300 mm
D3 = 200 mm	H2 = 380 mm	
D4 = 185 mm		


Relevant Information

Warranty

Inverter

Pump

3 years

1 year

Standards



EN 61000-6-3:2007+A1:2011

EN 61000-6-1:2007

EN 60335-1:2012

EN 60335-2-41:2003

+A1:2004+A2:2010

*All specifications and information are provided with good intent, products may be subject to change without notice.

V1.0 1607

SPS611K900

Solartech Surface Solar Pump

Performance

Water Head	32.9 - 25.1 m
Daily Water Flow	400 - 800 m ³

Technical Data

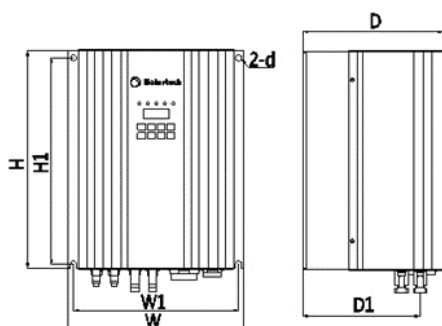
Solar Pumping Inverter Model	PB11KH
Inverter Power	11 kW
Max. DC Input Voltage	750V
Recommended MPP Voltage	500 - 600VDC
Inverter Ambient Temp.	-10 ~ 50 °C
Pump Model	SPS6-130-11
Pump Power	11 kW
Pump Specifications	3PH 380V 50Hz
Pump Inlet Dia.	80 mm, 3"1/4
Pump Outlet Dia.	65 mm, 2"1/2
Recommended Inlet Pipe Inner Dia.	90 mm, 3"1/2
Recommended Outlet Pipe Inner Dia.	150 mm, 6"
NPSH	3.0 - 4.2 m
Pump Enclosure Class	IP55
Ambient liquid Temp.	-20 - 100 °C
Max. Pump Ambient Temp.	+40 °C



Dimension, Weight and Material

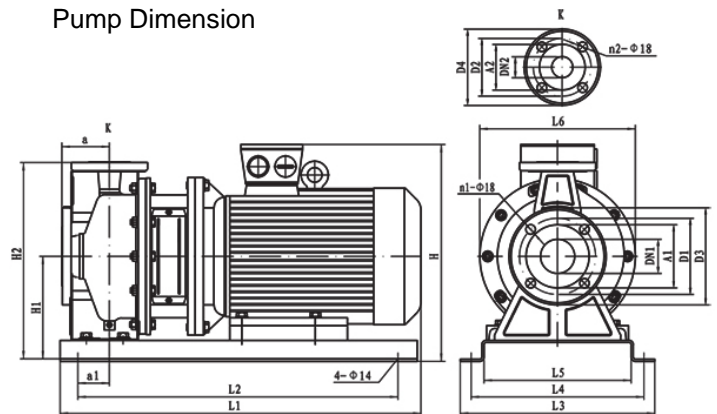
Pump Net Weight	163 kg
Solar Pump Net Weight	171.2 kg
Pump Impeller Material	AISI 304
Pump Body Material	AISI 304
Pump Head Material	Cast Iron

Inverter Dimension

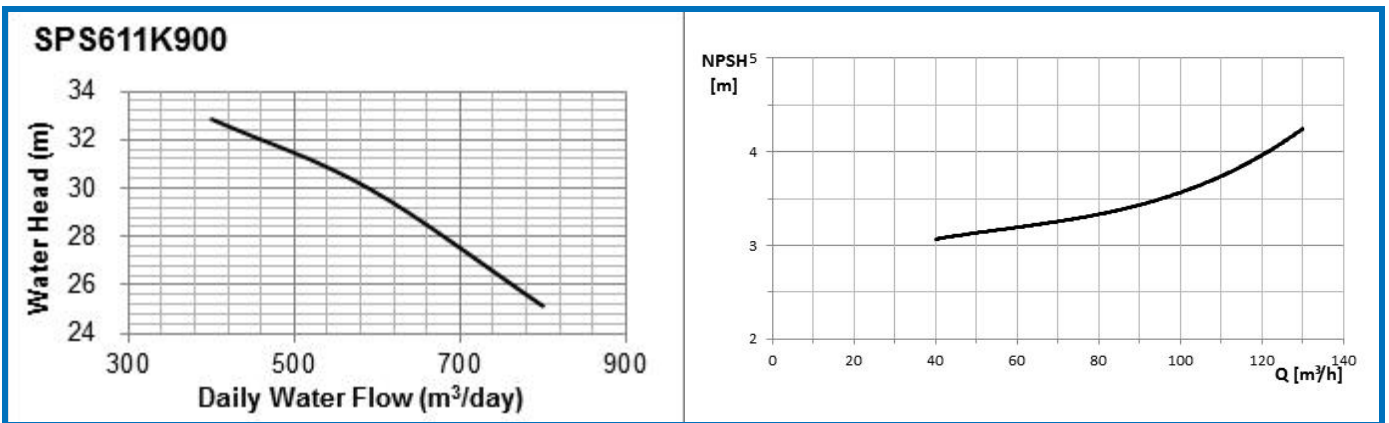


W = 250 mm	W1 = 235 mm
H = 310 mm	H1 = 295 mm
D = 200 mm	D1 = 167 mm
d = 7 mm	

Pump Dimension



DN1 = 80 mm	n1 = 8 mm	L1 = 790 mm
DN2 = 65 mm	n2 = 4 mm	L2 = 690 mm
A1 = 130 mm	a = 100 mm	L3 = 420 mm
A2 = 118 mm	a1 = 50 mm	L4 = 380 mm
D1 = 160 mm	H = 456 mm	L5 = 330 mm
D2 = 145 mm	H1 = 200 mm	L6 = 350 mm
D3 = 200 mm	H2 = 400 mm	
D4 = 185 mm		


Relevant Information

Warranty

Inverter

Pump

3 years

1 year

Standards



EN 61000-6-3:2007+A1:2011

EN 61000-6-1:2007

EN 60335-1:2012

EN 60335-2-41:2003

+A1:2004+A2:2010

*All specifications and information are provided with good intent, products may be subject to change without notice.

V1.0 1607

SPS615K900

Solartech Surface Solar Pump

Performance

Water Head	41.1 - 34.1 m
Daily Water Flow	400 - 800 m ³

Technical Data

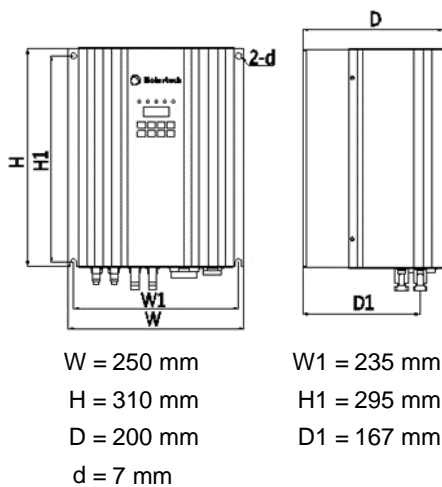
Solar Pumping Inverter Model	PB18KH
Inverter Power	18.5 kW
Max. DC Input Voltage	750V
Recommended MPP Voltage	500 - 600VDC
Inverter Ambient Temp.	-10 ~ 50 °C
Pump Model	SPS6-130-15
Pump Power	15 kW
Pump Specifications	3PH 380V 50Hz
Pump Inlet Dia.	80 mm, 3"1/4
Pump Outlet Dia.	65 mm, 2"1/2
Recommended Inlet Pipe Inner Dia.	90 mm, 3"1/2
Recommended Outlet Pipe Inner Dia.	150 mm, 6"
NPSH	3.0 - 4.2 m
Pump Enclosure Class	IP55
Ambient liquid Temp.	-20 - 100 °C
Max. Pump Ambient Temp.	+40 °C



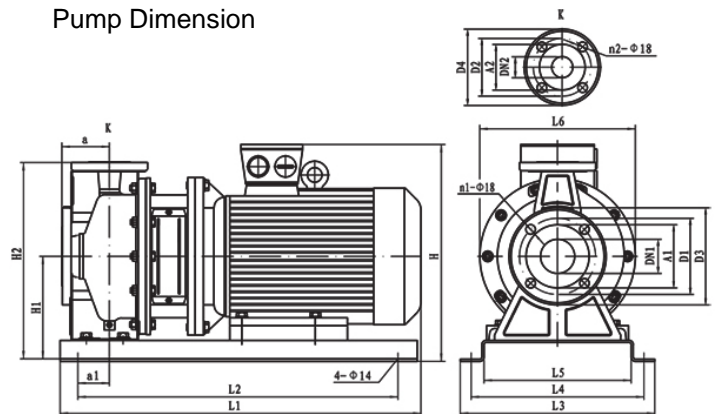
Dimension, Weight and Material

Pump Net Weight	173 kg
Solar Pump Net Weight	181.4 kg
Pump Impeller Material	AISI 304
Pump Body Material	AISI 304
Pump Head Material	Cast Iron

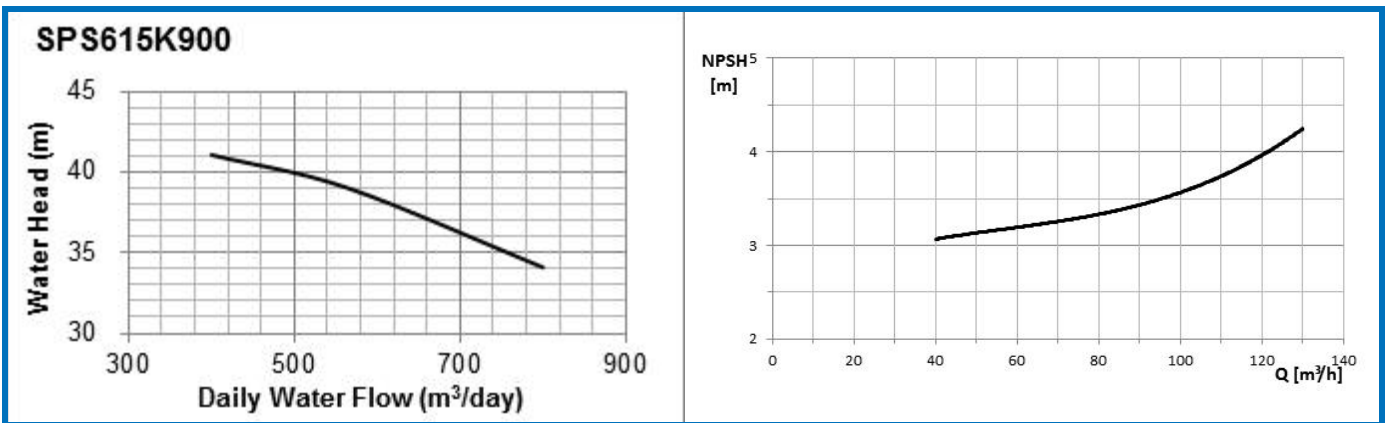
Inverter Dimension



Pump Dimension



DN1 = 80 mm	n1 = 8 mm	L1 = 790 mm
DN2 = 65 mm	n2 = 4 mm	L2 = 690 mm
A1 = 130 mm	a = 100 mm	L3 = 420 mm
A2 = 118 mm	a1 = 50 mm	L4 = 380 mm
D1 = 160 mm	H = 456 mm	L5 = 330 mm
D2 = 145 mm	H1 = 200 mm	L6 = 350 mm
D3 = 200 mm	H2 = 400 mm	
D4 = 185 mm		


Relevant Information

Warranty

Inverter

Pump

3 years

1 year

Standards



EN 61000-6-3:2007+A1:2011

EN 61000-6-1:2007

EN 60335-1:2012

EN 60335-2-41:2003

+A1:2004+A2:2010

*All specifications and information are provided with good intent, products may be subject to change without notice.

V1.0 1607

SPS818K900

Solartech Surface Solar Pump

Performance

Water Head	50.3 - 43.0 m
Daily Water Flow	400 - 800 m ³

Technical Data

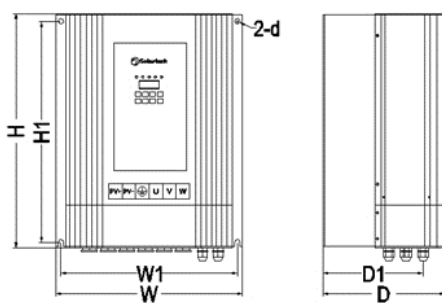
Solar Pumping Inverter Model	PB22KH
Inverter Power	22 kW
Max. DC Input Voltage	750V
Recommended MPP Voltage	500 - 600VDC
Inverter Ambient Temp.	-10 ~ 50 °C
Pump Model	SPS8-130-18.5
Pump Power	18.5 kW
Pump Specifications	3PH 380V 50Hz
Pump Inlet Dia.	80 mm, 3"1/4
Pump Outlet Dia.	65 mm, 2"1/2
Recommended Inlet Pipe Inner Dia.	90 mm, 3"1/2
Recommended Outlet Pipe Inner Dia.	150 mm, 6"
NPSH	2.3 - 5.0 m
Pump Enclosure Class	IP55
Ambient liquid Temp.	-20 - 100 °C
Max. Pump Ambient Temp.	+40 °C



Dimension, Weight and Material

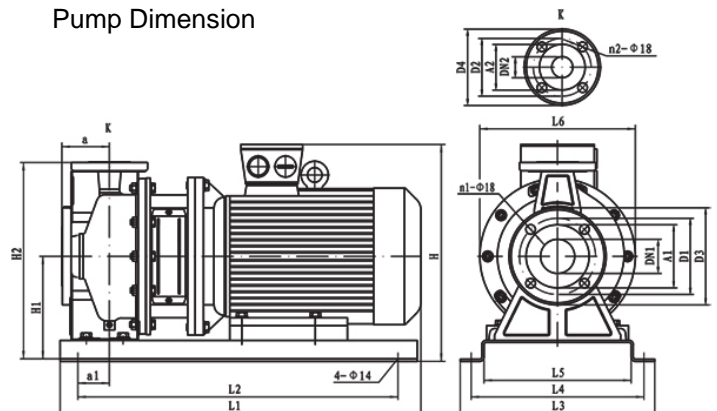
Pump Net Weight	190 kg
Solar Pump Net Weight	208 kg
Pump Impeller Material	AISI 304
Pump Body Material	AISI 304
Pump Head Material	Cast Iron

Inverter Dimension

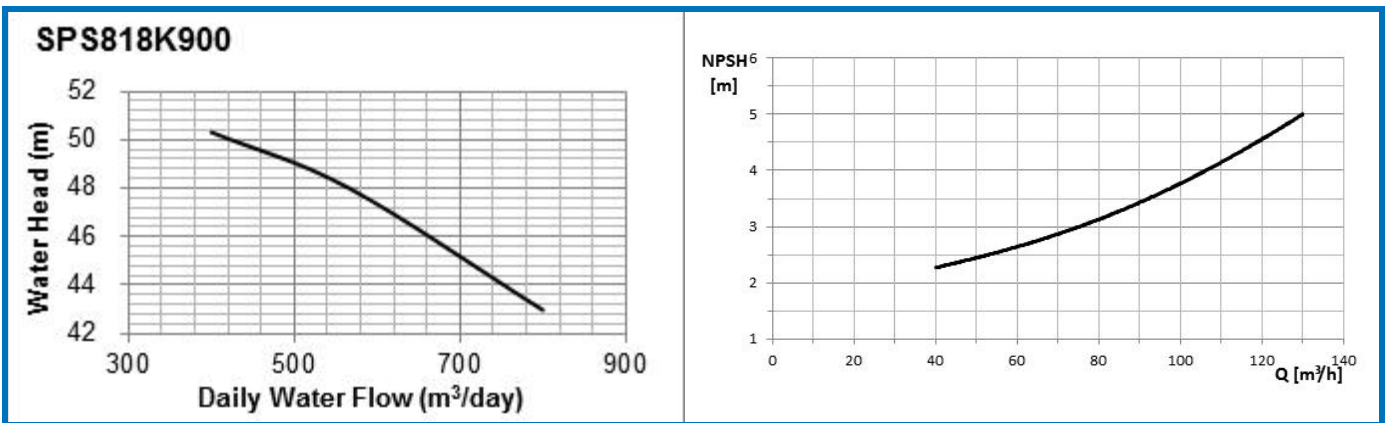


W = 360 mm	W1 = 340 mm
H = 450 mm	H1 = 425 mm
D = 235 mm	D1 = 195 mm
d = 10 mm	

Pump Dimension



DN1 = 80 mm	n1 = 8 mm	L1 = 830 mm
DN2 = 65 mm	n2 = 4 mm	L2 = 730 mm
A1 = 130 mm	a = 100 mm	L3 = 420 mm
A2 = 118 mm	a1 = 50 mm	L4 = 380 mm
D1 = 160 mm	H = 476 mm	L5 = 330 mm
D2 = 145 mm	H1 = 220 mm	L6 = 350 mm
D3 = 200 mm	H2 = 445 mm	
D4 = 185 mm		


Relevant Information

Warranty

Inverter

Pump

3 years

1 year

Standards



EN 61000-6-3:2007+A1:2011

EN 61000-6-1:2007

EN 60335-1:2012

EN 60335-2-41:2003

+A1:2004+A2:2010

*All specifications and information are provided with good intent, products may be subject to change without notice.

SPS822K900

Solartech Surface Solar Pump

Performance

Water Head	57.2 - 50.3 m
Daily Water Flow	400 - 800 m ³

Technical Data

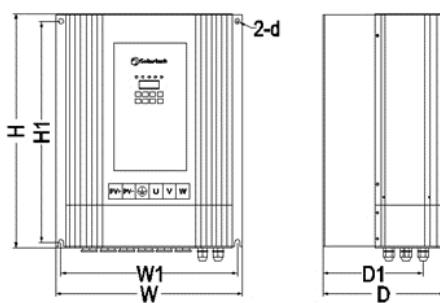
Solar Pumping Inverter Model	PB37KH
Inverter Power	37 kW
Max. DC Input Voltage	750V
Recommended MPP Voltage	500 - 600VDC
Inverter Ambient Temp.	-10 ~ 50 °C
Pump Model	SPS8-130-22
Pump Power	22 kW
Pump Specifications	3PH 380V 50Hz
Pump Inlet Dia.	80 mm, 3"1/4
Pump Outlet Dia.	65 mm, 2"1/2
Recommended Inlet Pipe Iner Dia.	90 mm, 3"1/2
Recommended Outlet Pipe Iner Dia.	150 mm, 6"
NPSH	2.3 - 5.0 m
Pump Enclosure Class	IP55
Ambient liquid Temp.	-20 - 100 °C
Max. Pump Ambient Temp.	+40 °C



Dimension, Weight and Material

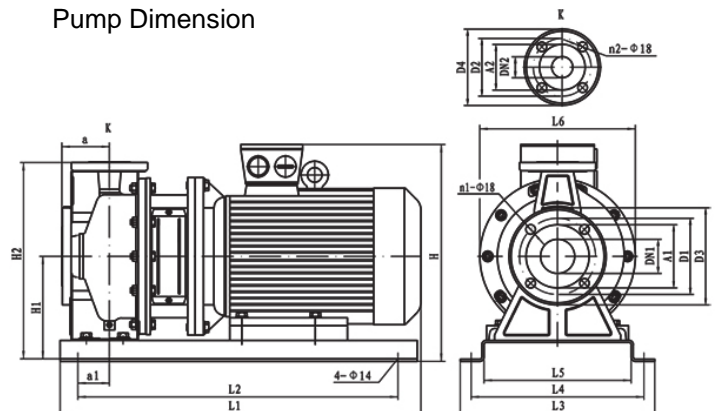
Pump Net Weight	220 kg
Solar Pump Net Weight	240 kg
Pump Impeller Material	AISI 304
Pump Body Material	AISI 304
Pump Head Material	Cast Iron

Inverter Dimension

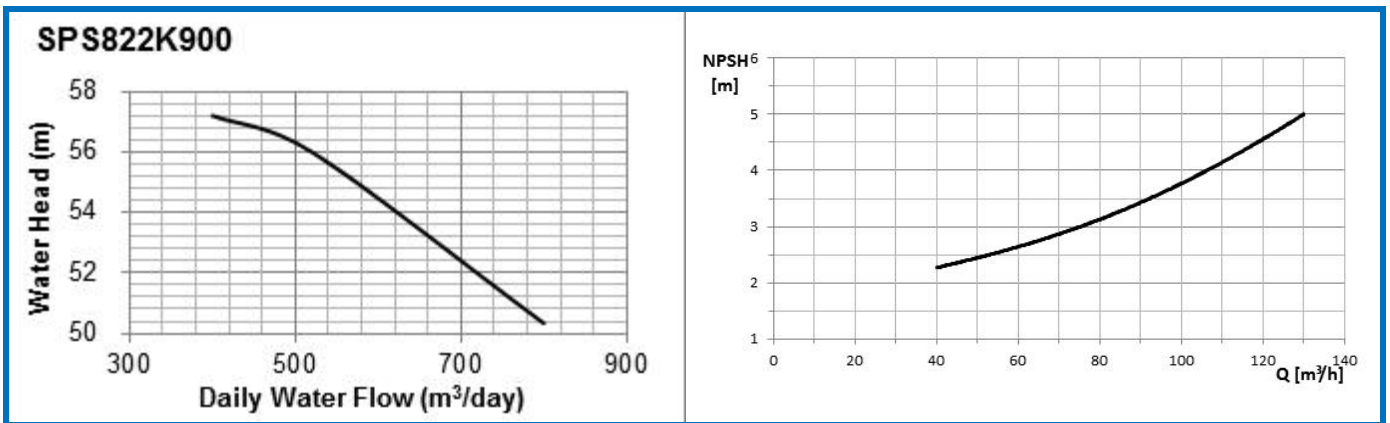


W = 360 mm	W1 = 340 mm
H = 450 mm	H1 = 425 mm
D = 235 mm	D1 = 195 mm
d = 10 mm	

Pump Dimension



DN1 = 80 mm	n1 = 8 mm	L1 = 880 mm
DN2 = 65 mm	n2 = 4 mm	L2 = 780 mm
A1 = 130 mm	a = 100 mm	L3 = 455 mm
A2 = 118 mm	a1 = 50 mm	L4 = 415 mm
D1 = 160 mm	H = 500 mm	L5 = 365 mm
D2 = 145 mm	H1 = 220 mm	L6 = 350 mm
D3 = 200 mm	H2 = 445 mm	
D4 = 185 mm		


Relevant Information

Warranty

Inverter

Pump

3 years

1 year

Standards



EN 61000-6-3:2007+A1:2011

EN 61000-6-1:2007

EN 60335-1:2012

EN 60335-2-41:2003

+A1:2004+A2:2010

*All specifications and information are provided with good intent, products may be subject to change without notice.

V1.0 1607

SPS830K900

Solartech Surface Solar Pump

Performance

Water Head	70.2 - 63.4 m
Daily Water Flow	400 - 800 m ³

Technical Data

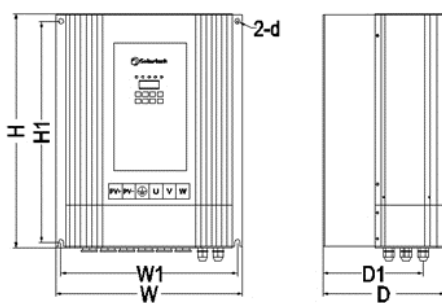
Solar Pumping Inverter Model	PB37KH
Inverter Power	37 kW
Max. DC Input Voltage	750V
Recommended MPP Voltage	500 - 600VDC
Inverter Ambient Temp.	-10 ~ 50 °C
Pump Model	SPS8-130-30
Pump Power	30 kW
Pump Specifications	3PH 380V 50Hz
Pump Inlet Dia.	80 mm, 3"1/4
Pump Outlet Dia.	65 mm, 2"1/2
Recommended Inlet Pipe Inner Dia.	90 mm, 3"1/2
Recommended Outlet Pipe Inner Dia.	150 mm, 6"
NPSH	2.3 - 5.0 m
Pump Enclosure Class	IP55
Ambient liquid Temp.	-20 - 100 °C
Max. Pump Ambient Temp.	+40 °C



Dimension, Weight and Material

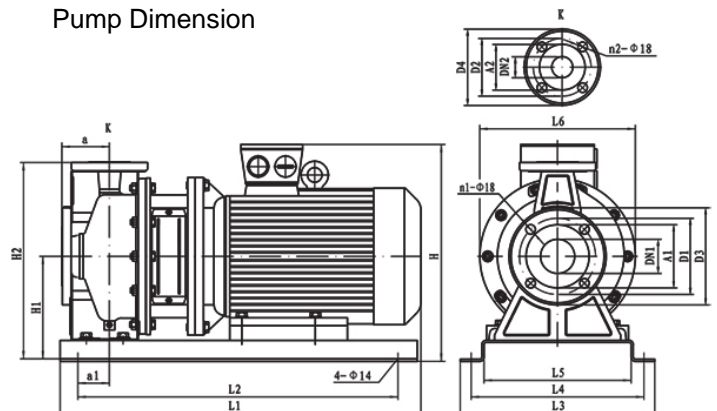
Pump Net Weight	292 kg
Solar Pump Net Weight	312 kg
Pump Impeller Material	AISI 304
Pump Body Material	AISI 304
Pump Head Material	Cast Iron

Inverter Dimension

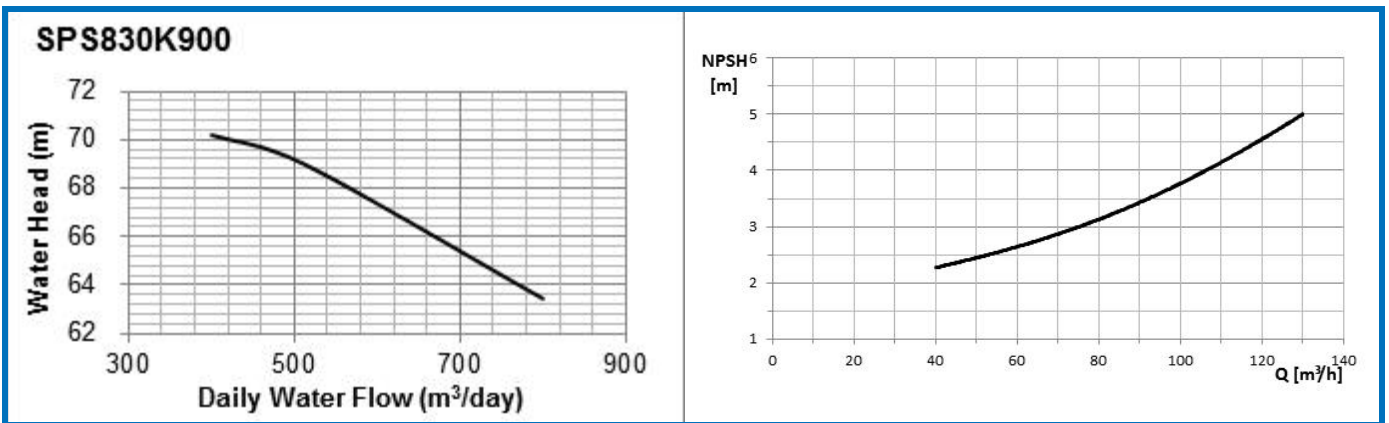


W = 360 mm	W1 = 340 mm
H = 450 mm	H1 = 425 mm
D = 235 mm	D1 = 195 mm
d = 10 mm	

Pump Dimension



DN1 = 80 mm	n1 = 8 mm	L1 = 950 mm
DN2 = 65 mm	n2 = 4 mm	L2 = 850 mm
A1 = 130 mm	a = 100 mm	L3 = 495 mm
A2 = 118 mm	a1 = 50 mm	L4 = 455 mm
D1 = 160 mm	H = 550 mm	L5 = 405 mm
D2 = 145 mm	H1 = 240 mm	L6 = 400 mm
D3 = 200 mm	H2 = 465 mm	
D4 = 185 mm		


Relevant Information

Warranty

Inverter

Pump

3 years

1 year

Standards



EN 61000-6-3:2007+A1:2011

EN 61000-6-1:2007

EN 60335-1:2012

EN 60335-2-41:2003

+A1:2004+A2:2010

*All specifications and information are provided with good intent, products may be subject to change without notice.

V1.0 1607

SPS611K1500

Solartech Surface Solar Pump

Performance

Water Head	19.8 - 10.7 m
Daily Water Flow	800 - 1400 m ³

Technical Data

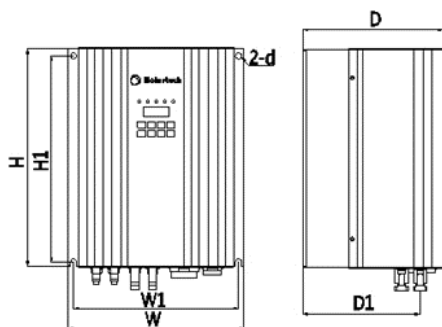
Solar Pumping Inverter Model	PB11KH
Inverter Power	11 kW
Max. DC Input Voltage	750V
Recommended MPP Voltage	500 - 600VDC
Inverter Ambient Temp.	-10 ~ 50 °C
Pump Model	SPS6-192-11
Pump Power	11 kW
Pump Specifications	3PH 380V 50Hz
Pump Inlet Dia.	100 mm, 4"
Pump Outlet Dia.	80 mm, 3"1/4
Recommended Inlet Pipe Inner Dia.	110 mm, 4"1/4
Recommended Outlet Pipe Inner Dia.	175 mm, 6"1/4
NPSH	4.0 - 6.0 m
Pump Enclosure Class	IP55
Ambient liquid Temp.	-20 - 100 °C
Max. Pump Ambient Temp.	+40 °C



Dimension, Weight and Material

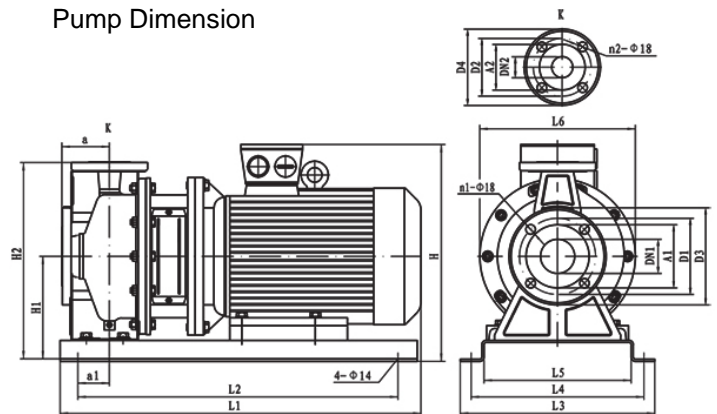
Pump Net Weight	163 kg
Solar Pump Net Weight	171.2 kg
Pump Impeller Material	AISI 304
Pump Body Material	AISI 304
Pump Head Material	Cast Iron

Inverter Dimension

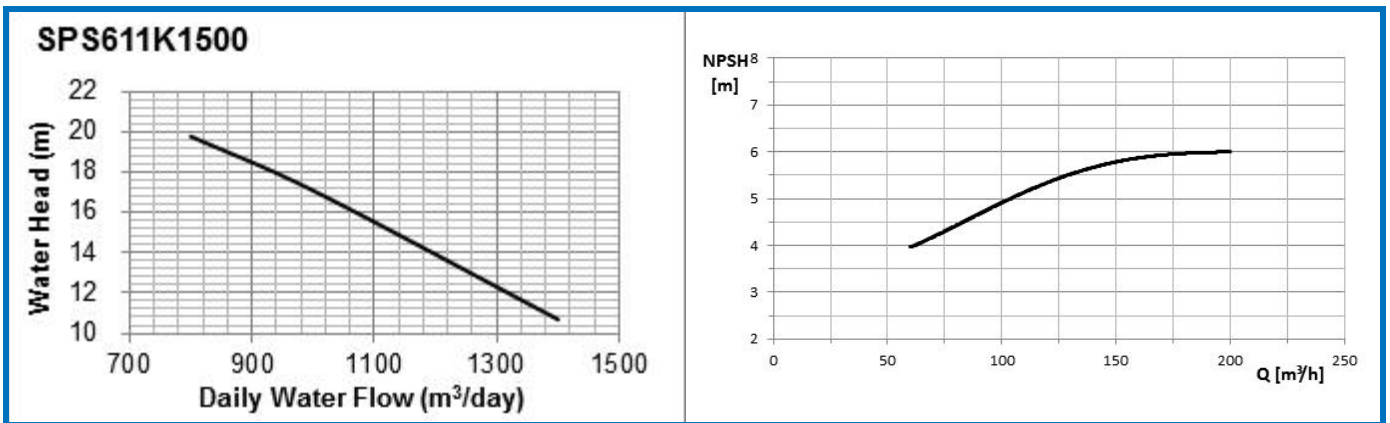


W = 250 mm	W1 = 235 mm
H = 310 mm	H1 = 295 mm
D = 200 mm	D1 = 167 mm
d = 7 mm	

Pump Dimension



DN1 = 100 mm	n1 = 8 mm	L1 = 830 mm
DN2 = 80 mm	n2 = 8 mm	L2 = 730 mm
A1 = 150 mm	a = 125 mm	L3 = 420 mm
A2 = 130 mm	a1 = 75 mm	L4 = 380 mm
D1 = 180 mm	H = 476 mm	L5 = 330 mm
D2 = 160 mm	H1 = 220 mm	L6 = 350 mm
D3 = 220 mm	H2 = 445 mm	
D4 = 200 mm		


Relevant Information

Warranty

Inverter

Pump

3 years

1 year

Standards



EN 61000-6-3:2007+A1:2011

EN 61000-6-1:2007

EN 60335-1:2012

EN 60335-2-41:2003

+A1:2004+A2:2010

*All specifications and information are provided with good intent, products may be subject to change without notice.

SPS615K1500

Solartech Surface Solar Pump

Performance

Water Head	27.8 - 17.5 m
Daily Water Flow	800 - 1400 m ³

Technical Data

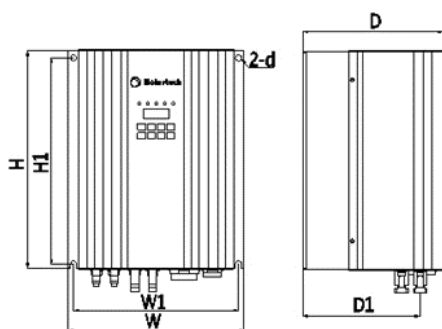
Solar Pumping Inverter Model	PB15KH
Inverter Power	15 kW
Max. DC Input Voltage	750V
Recommended MPP Voltage	500 - 600VDC
Inverter Ambient Temp.	-10 ~ 50 °C
Pump Model	SPS6-200-15
Pump Power	15 kW
Pump Specifications	3PH 380V 50Hz
Pump Inlet Dia.	100 mm, 4"
Pump Outlet Dia.	80 mm, 3"1/4
Recommended Inlet Pipe Iner Dia.	110 mm, 4"1/4
Recommended Outlet Pipe Iner Dia.	175 mm, 6"1/4
NPSH	4.0 - 6.0 m
Pump Enclosure Class	IP55
Ambient liquid Temp.	-20 - 100 °C
Max. Pump Ambient Temp.	+40 °C



Dimension, Weight and Material

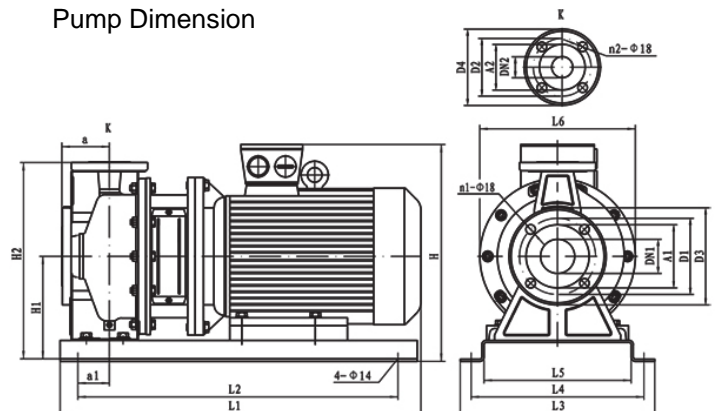
Pump Net Weight	173 kg
Solar Pump Net Weight	181.4 kg
Pump Impeller Material	AISI 304
Pump Body Material	AISI 304
Pump Head Material	Cast Iron

Inverter Dimension

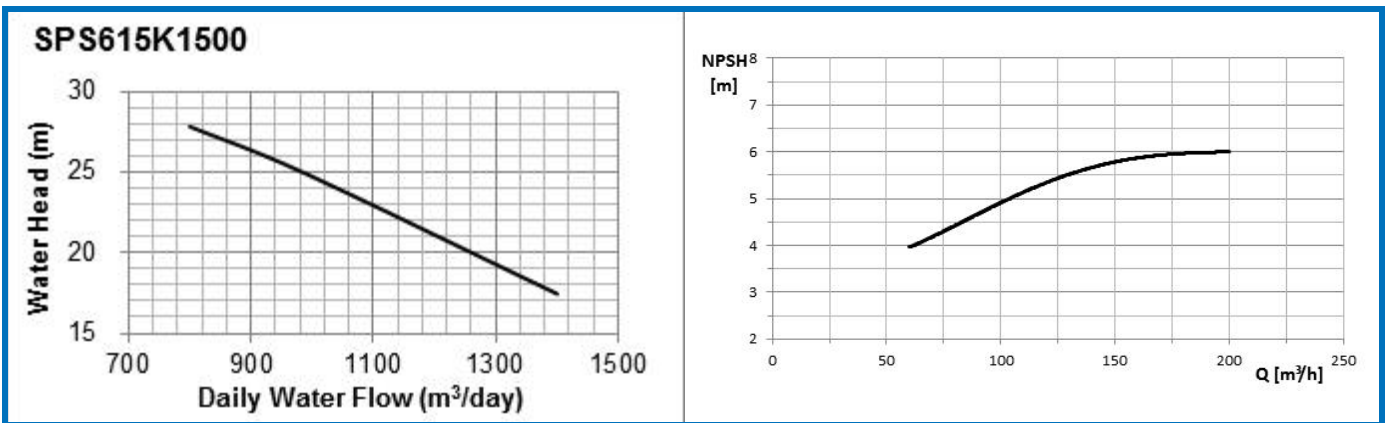


W = 250 mm	W1 = 235 mm
H = 310 mm	H1 = 295 mm
D = 200 mm	D1 = 167 mm
d = 7 mm	

Pump Dimension



DN1 = 100 mm	n1 = 8 mm	L1 = 830 mm
DN2 = 80 mm	n2 = 8 mm	L2 = 730 mm
A1 = 150 mm	a = 125 mm	L3 = 420 mm
A2 = 130 mm	a1 = 75 mm	L4 = 380 mm
D1 = 180 mm	H = 476 mm	L5 = 330 mm
D2 = 160 mm	H1 = 220 mm	L6 = 350 mm
D3 = 220 mm	H2 = 445 mm	
D4 = 200 mm		


Relevant Information

Warranty

Inverter

Pump

3 years

1 year

Standards



EN 61000-6-3:2007+A1:2011

EN 61000-6-1:2007

EN 60335-1:2012

EN 60335-2-41:2003

+A1:2004+A2:2010

*All specifications and information are provided with good intent, products may be subject to change without notice.

SPS618K1500

Solartech Surface Solar Pump

Performance

Water Head	33.4 - 22.9 m
Daily Water Flow	800 - 1400 m ³

Technical Data

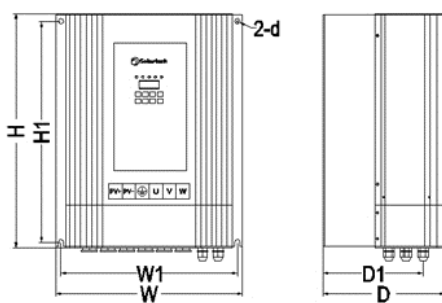
Solar Pumping Inverter Model	PB22KH
Inverter Power	22 kW
Max. DC Input Voltage	750V
Recommended MPP Voltage	500 - 600VDC
Inverter Ambient Temp.	-10 ~ 50 °C
Pump Model	SPS8-200-18.5
Pump Power	18.5 kW
Pump Specifications	3PH 380V 50Hz
Pump Inlet Dia.	100 mm, 4"
Pump Outlet Dia.	80 mm, 3"1/4
Recommended Inlet Pipe Iner Dia.	110 mm, 4"1/4
Recommended Outlet Pipe Iner Dia.	175 mm, 6"1/4
NPSH	4.0 - 6.0 m
Pump Enclosure Class	IP55
Ambient liquid Temp.	-20 - 100 °C
Max. Pump Ambient Temp.	+40 °C



Dimension, Weight and Material

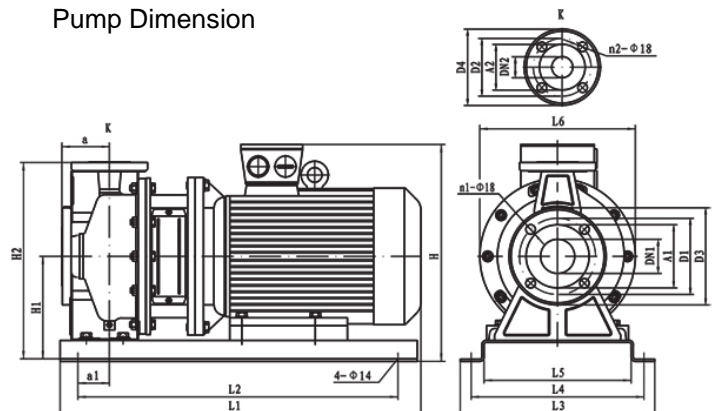
Pump Net Weight	185 kg
Solar Pump Net Weight	203 kg
Pump Impeller Material	AISI 304
Pump Body Material	AISI 304
Pump Head Material	Cast Iron

Inverter Dimension

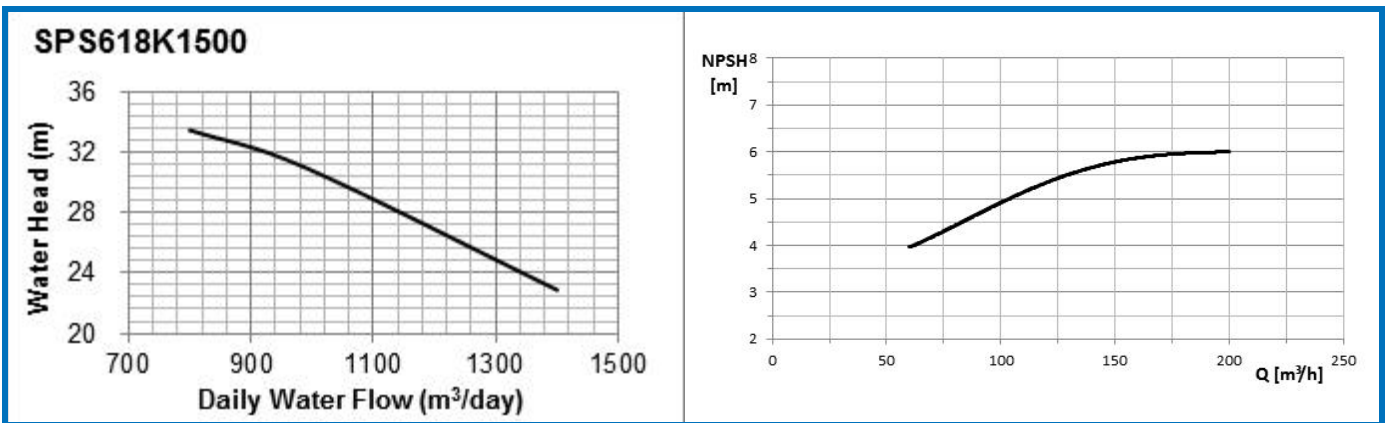


W = 360 mm	W1 = 340 mm
H = 450 mm	H1 = 425 mm
D = 235 mm	D1 = 195 mm
d = 10 mm	

Pump Dimension



DN1 = 100 mm	n1 = 8 mm	L1 = 870 mm
DN2 = 80 mm	n2 = 8 mm	L2 = 770 mm
A1 = 150 mm	a = 125 mm	L3 = 420 mm
A2 = 130 mm	a1 = 75 mm	L4 = 380 mm
D1 = 180 mm	H = 476 mm	L5 = 330 mm
D2 = 160 mm	H1 = 220 mm	L6 = 350 mm
D3 = 220 mm	H2 = 445 mm	
D4 = 200 mm		


Relevant Information
Warranty

Inverter

3 years

Pump

1 year

Standards


EN 61000-6-3:2007+A1:2011

EN 61000-6-1:2007

EN 60335-1:2012

EN 60335-2-41:2003

+A1:2004+A2:2010

*All specifications and information are provided with good intent, products may be subject to change without notice.

SPS822K1500

Solartech Surface Solar Pump

Performance

Water Head	38.9 - 26.2 m
Daily Water Flow	800 - 1400 m ³

Technical Data

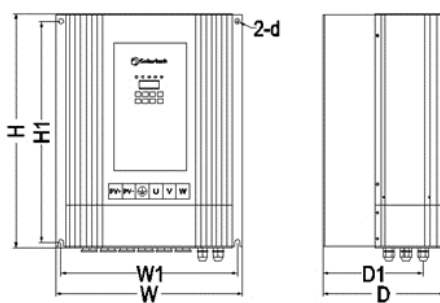
Solar Pumping Inverter Model	PB22KH
Inverter Power	22 kW
Max. DC Input Voltage	750V
Recommended MPP Voltage	500 - 600VDC
Inverter Ambient Temp.	-10 ~ 50 °C
Pump Model	SPS8-200-22
Pump Power	22 kW
Pump Specifications	3PH 380V 50Hz
Pump Inlet Dia.	100 mm, 4"
Pump Outlet Dia.	80 mm, 3"1/4
Recommended Inlet Pipe Inner Dia.	110 mm, 4"1/4
Recommended Outlet Pipe Inner Dia.	175 mm, 6"1/4
NPSH	3.0 - 6.0 m
Pump Enclosure Class	IP55
Ambient liquid Temp.	-20 - 100 °C
Max. Pump Ambient Temp.	+40 °C



Dimension, Weight and Material

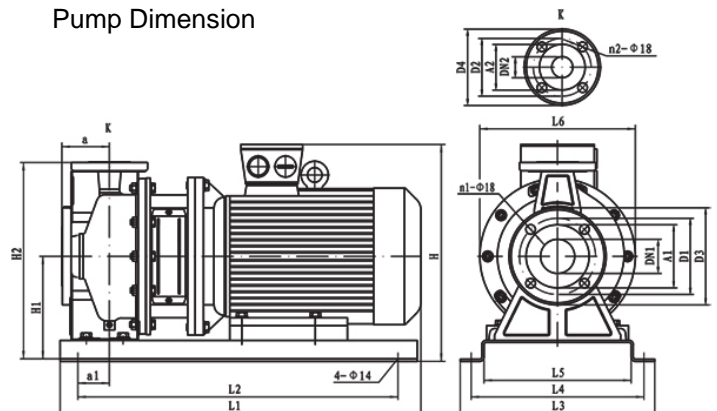
Pump Net Weight	223 kg
Solar Pump Net Weight	241 kg
Pump Impeller Material	AISI 304
Pump Body Material	AISI 304
Pump Head Material	Cast Iron

Inverter Dimension

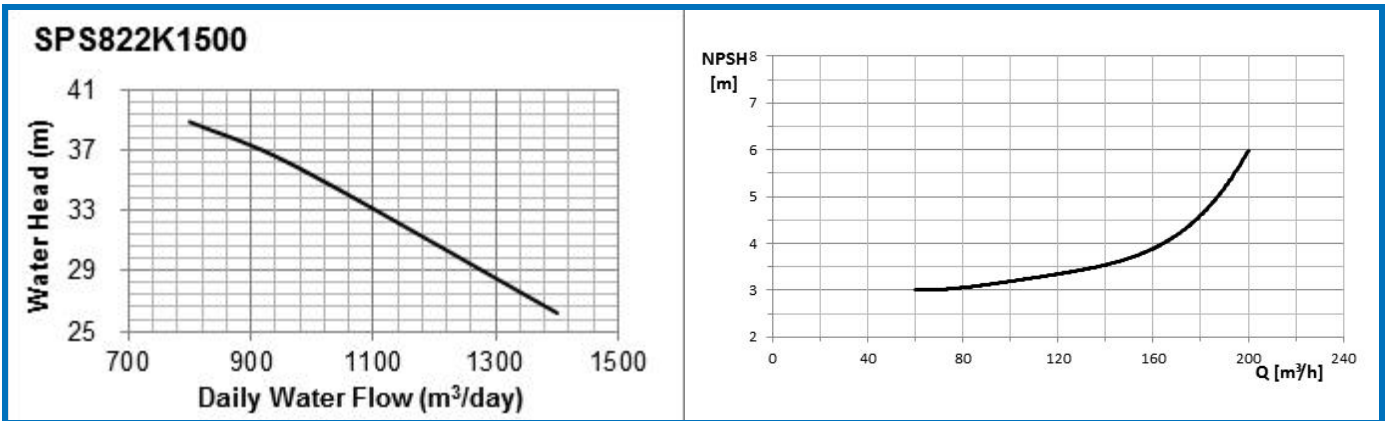


W = 360 mm	W1 = 340 mm
H = 450 mm	H1 = 425 mm
D = 235 mm	D1 = 195 mm
d = 10 mm	

Pump Dimension



DN1 = 100 mm	n1 = 8 mm	L1 = 915 mm
DN2 = 80 mm	n2 = 8 mm	L2 = 810 mm
A1 = 150 mm	a = 125 mm	L3 = 455 mm
A2 = 130 mm	a1 = 75 mm	L4 = 415 mm
D1 = 180 mm	H = 500 mm	L5 = 365 mm
D2 = 160 mm	H1 = 220 mm	L6 = 350 mm
D3 = 220 mm	H2 = 470 mm	
D4 = 200 mm		


Relevant Information

Warranty

Inverter

Pump

3 years

1 year

Standards



EN 61000-6-3:2007+A1:2011

EN 61000-6-1:2007

EN 60335-1:2012

EN 60335-2-41:2003

+A1:2004+A2:2010

*All specifications and information are provided with good intent, products may be subject to change without notice.

V1.0 1607

SPS830K1500

Solartech Surface Solar Pump

Performance

Water Head	51.9 - 38.0 m
Daily Water Flow	800 - 1400 m ³

Technical Data

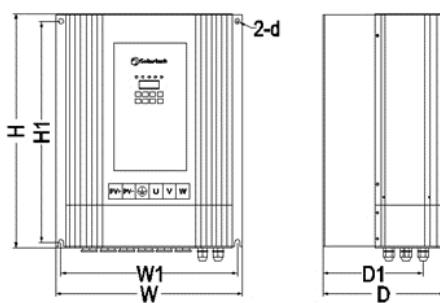
Solar Pumping Inverter Model	PB37KH
Inverter Power	37 kW
Max. DC Input Voltage	750V
Recommended MPP Voltage	500 - 600VDC
Inverter Ambient Temp.	-10 ~ 50 °C
Pump Model	SPS8-200-30
Pump Power	30 kW
Pump Specifications	3PH 380V 50Hz
Pump Inlet Dia.	100 mm, 4"
Pump Outlet Dia.	80 mm, 3"1/4
Recommended Inlet Pipe Iner Dia.	110 mm, 4"1/4
Recommended Outlet Pipe Iner Dia.	175 mm, 6"1/4
NPSH	3.0 - 6.0 m
Pump Enclosure Class	IP55
Ambient liquid Temp.	-20 - 100 °C
Max. Pump Ambient Temp.	+40 °C



Dimension, Weight and Material

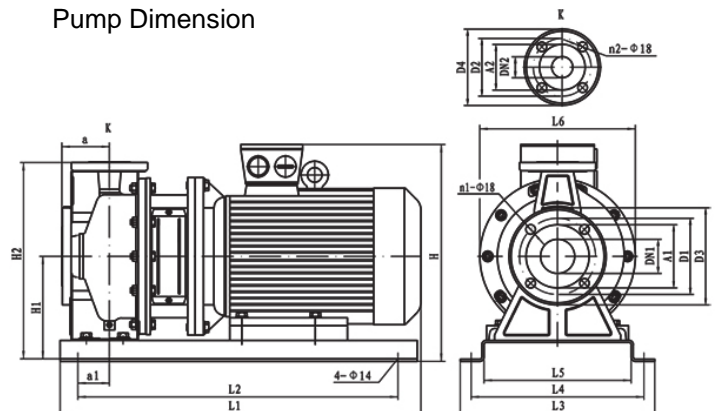
Pump Net Weight	295 kg
Solar Pump Net Weight	315 kg
Pump Impeller Material	AISI 304
Pump Body Material	AISI 304
Pump Head Material	Cast Iron

Inverter Dimension

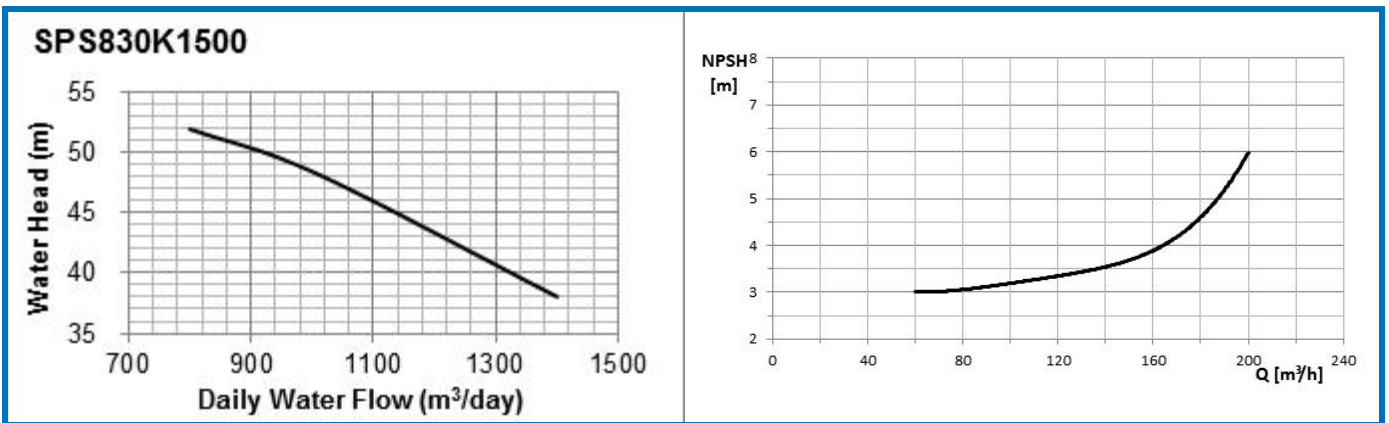


W = 360 mm	W1 = 340 mm
H = 450 mm	H1 = 425 mm
D = 235 mm	D1 = 195 mm
d = 10 mm	

Pump Dimension



DN1 = 100 mm	n1 = 8 mm	L1 = 985 mm
DN2 = 80 mm	n2 = 8 mm	L2 = 880 mm
A1 = 150 mm	a = 125 mm	L3 = 495 mm
A2 = 130 mm	a1 = 75 mm	L4 = 455 mm
D1 = 180 mm	H = 550 mm	L5 = 405 mm
D2 = 160 mm	H1 = 240 mm	L6 = 400 mm
D3 = 220 mm	H2 = 490 mm	
D4 = 200 mm		


Relevant Information

Warranty

Inverter

Pump

3 years

1 year

Standards



EN 61000-6-3:2007+A1:2011

EN 61000-6-1:2007

EN 60335-1:2012

EN 60335-2-41:2003

+A1:2004+A2:2010

*All specifications and information are provided with good intent, products may be subject to change without notice.

SPS837K1500

Solartech Surface Solar Pump

Performance

Water Head	60.9 - 47.5 m
Daily Water Flow	800 - 1400 m ³

Technical Data

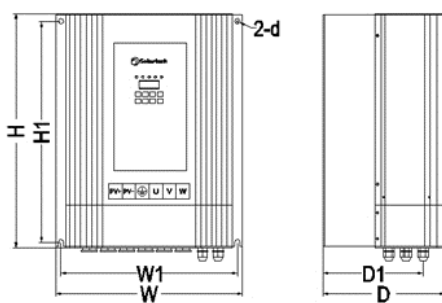
Solar Pumping Inverter Model	PB37KH
Inverter Power	37 kW
Max. DC Input Voltage	750V
Recommended MPP Voltage	500 - 600VDC
Inverter Ambient Temp.	-10 ~ 50 °C
Pump Model	SPS8-200-37
Pump Power	37 kW
Pump Specifications	3PH 380V 50Hz
Pump Inlet Dia.	100 mm, 4"
Pump Outlet Dia.	80 mm, 3"1/4
Recommended Inlet Pipe Iner Dia.	110 mm, 4"1/4
Recommended Outlet Pipe Iner Dia.	175 mm, 6"1/4
NPSH	3.0 - 6.0 m
Pump Enclosure Class	IP55
Ambient liquid Temp.	-20 - 100 °C
Max. Pump Ambient Temp.	+40 °C



Dimension, Weight and Material

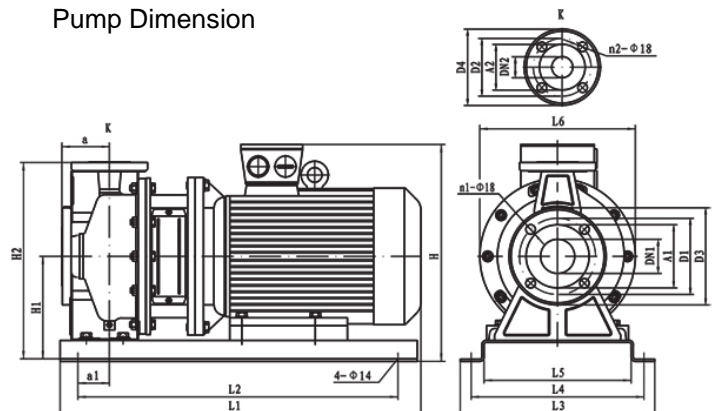
Pump Net Weight	315 kg
Solar Pump Net Weight	335 kg
Pump Impeller Material	AISI 304
Pump Body Material	AISI 304
Pump Head Material	Cast Iron

Inverter Dimension

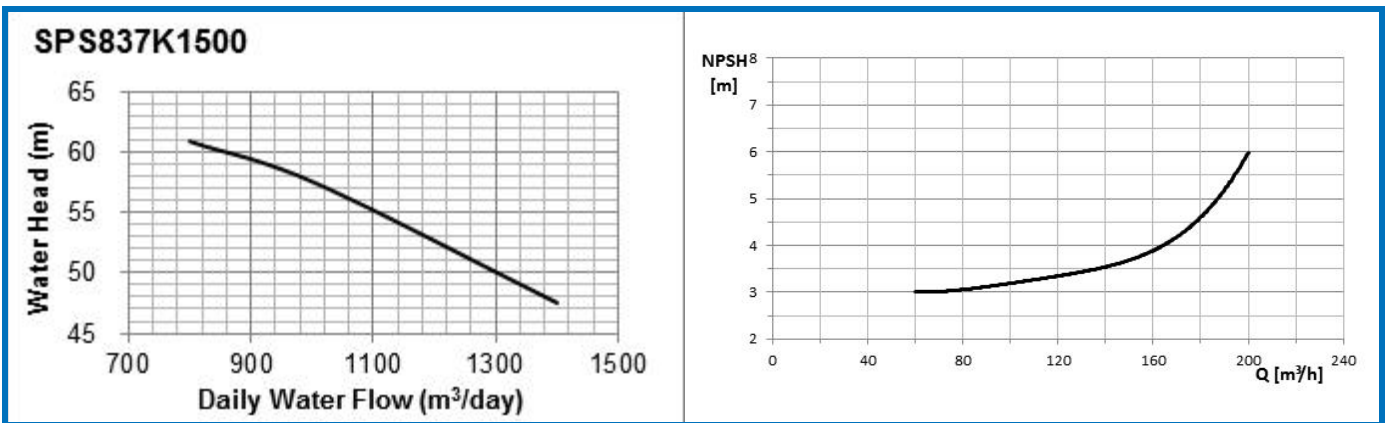


W = 360 mm	W1 = 340 mm
H = 450 mm	H1 = 425 mm
D = 235 mm	D1 = 195 mm
d = 10 mm	

Pump Dimension



DN1 = 100 mm	n1 = 8 mm	L1 = 985 mm
DN2 = 80 mm	n2 = 8 mm	L2 = 880 mm
A1 = 150 mm	a = 125 mm	L3 = 495 mm
A2 = 130 mm	a1 = 75 mm	L4 = 455 mm
D1 = 180 mm	H = 550 mm	L5 = 405 mm
D2 = 160 mm	H1 = 240 mm	L6 = 400 mm
D3 = 220 mm	H2 = 490 mm	
D4 = 200 mm		


Relevant Information

Warranty

Inverter

Pump

3 years

1 year

Standards



EN 61000-6-3:2007+A1:2011

EN 61000-6-1:2007

EN 60335-1:2012

EN 60335-2-41:2003

+A1:2004+A2:2010

*All specifications and information are provided with good intent, products may be subject to change without notice.

V1.0 1607