

# Sunmodule® SW 135 poly R6A



Produced in Germany,  
the hotspot for solar technology



TUV Power controlled:  
Lowest measuring tolerance in industry



25 year performance warranty and  
5 year product warranty



## World class quality

SolarWorld produces the best products with the highest quality, manufactured according to German and US quality standards in fully-automated ISO 9001 and 14001 certified factories.

## TUV "Power controlled"

With the new TUV Rheinland test "Power controlled" it is guaranteed that the performance indicated for a Sunmodule solar panel is being met and that it is regularly monitored by the independent test service provider, TUV Rheinland. This additional security for investors and consumers is a further testament of SolarWorld's commitment to comprehensive quality assurance.

## Outstanding products

SolarWorld's modules were assessed by the ÖKO-TEST consumer magazine as "excellent".

## An experienced industry leader

With over 30 years of experience in off-grid solar applications – SolarWorld delivers top products and technical experience at the highest levels. Our modules are installed in over 100,000 Telecom/Industrial systems worldwide. Nobody else comes close.



**We turn sunlight into power.**

# Sunmodule® SW 135 poly R6A

## PERFORMANCE UNDER STANDARD TEST CONDITIONS (STC)\*

		SW 135
Maximum power	$P_{max}$	135 Wp
Open circuit voltage	$U_{oc}$	21.9 V
Maximum power point voltage	$U_{mpp}$	17.7 V
Short circuit current	$I_{sc}$	8.16 A
Maximum power point current	$I_{mpp}$	7.69 A

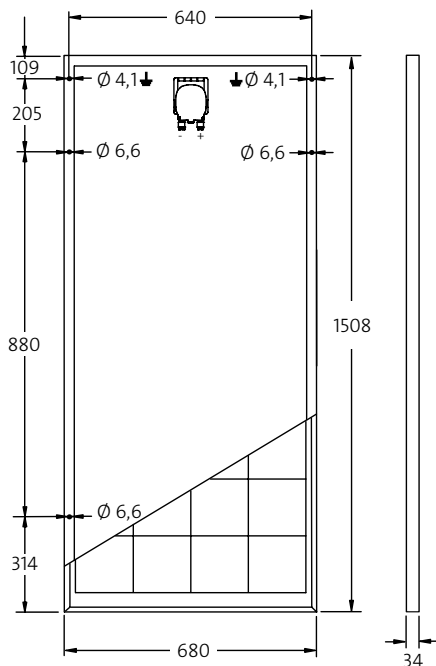
Measuring tolerance ( $P_{max}$ ) traceable to TUV Rheinland: +/- 2% (TUV Power controlled)

\*STC: 1000W/m<sup>2</sup>, 25°C, AM 1.5

## PERFORMANCE AT 800 W/m<sup>2</sup>, NOCT, AM 1.5

		SW 135
Maximum power	$P_{max}$	98.2 Wp
Open circuit voltage	$U_{oc}$	19.8 V
Maximum power point voltage	$U_{mpp}$	16.0 V
Short circuit current	$I_{sc}$	6.58 A
Maximum power point current	$I_{mpp}$	6.15 A

Minor reduction in efficiency under partial load conditions at 25°C: at 200 W/m<sup>2</sup>, 95% (+/-2%) of the STC efficiency (1000 W/m<sup>2</sup>) is achieved.



### DIMENSIONS

Length	1508 mm
Width	680 mm
Height	34 mm
Frame	Aluminum
Weight	11.8 kg

### COMPONENT MATERIALS

Cells per module	36
Cell type	Poly crystalline
Cell dimensions	156 mm x 156 mm
Front	tempered glass (EN 12150)

### THERMAL CHARACTERISTICS

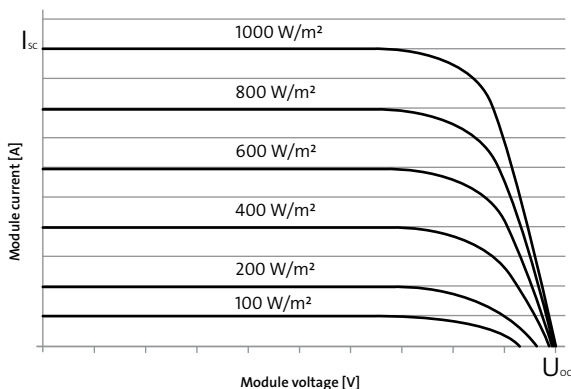
NOCT	46 °C
TC $I_{sc}$	0.081 %/K
TC $U_{oc}$	-0.37 %/K
TC $P_{mpp}$	-0.45 %/K

### ADDITIONAL DATA

Power sorting	+/- 5 %
J-Box	IP65

### PARAMETERS FOR OPTIMAL SYSTEM INTEGRATION

Maximum system voltage SC II	1000 V
Maximum reverse current	15 A
Number of bypass diodes	2



• Ammonia resistance tested



• Qualified, IEC 61215  
• Safety tested, IEC 61730  
• Periodic Inspection  
• Power Controlled



SolarWorld AG reserves the right to make specification changes without notice. This data sheet complies with the requirements of EN 50380.

1) UL listing depending on the market.