

LED STREET LIGHT MY-ST640-W60



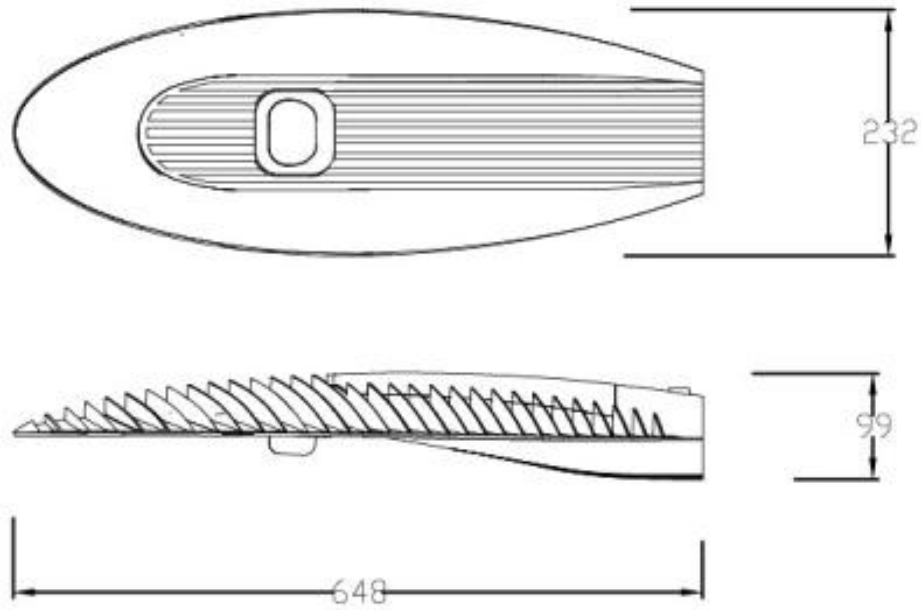
1. The applications of the occasions

Street, Garden ,Squares ,School ,Park ,Yards ,pavements

2. Features

- 1 Use heat sinker inside the lamp for heat dissipation.
 - 2 Grey as normal color; other color like white and blue, white will be acceptable.
 - 3 IP65.
-

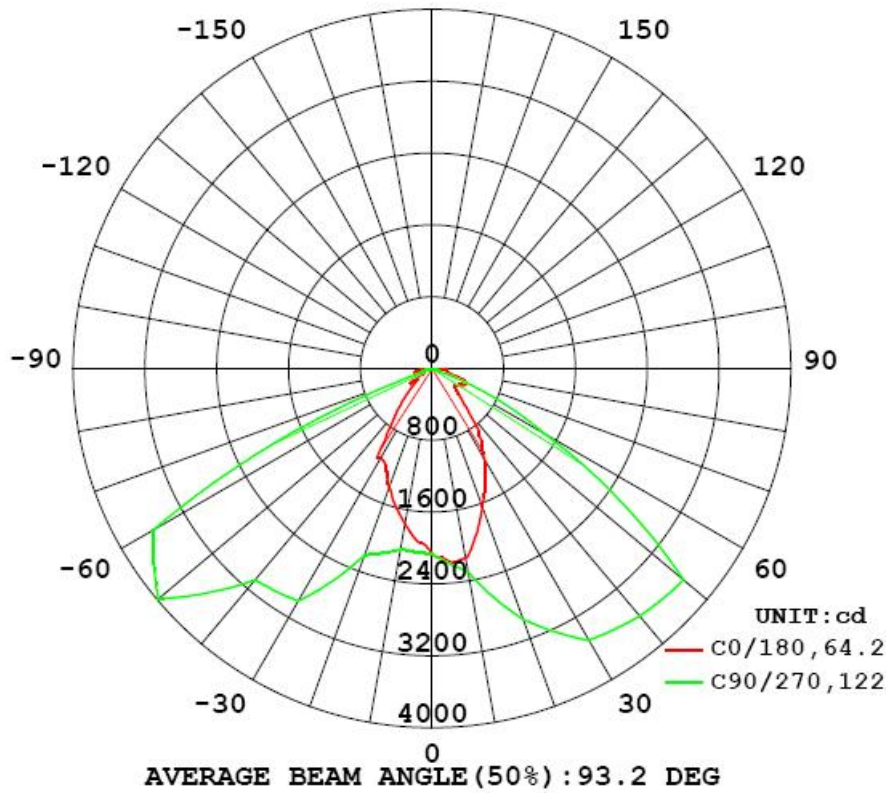
3. Dimension of the product.



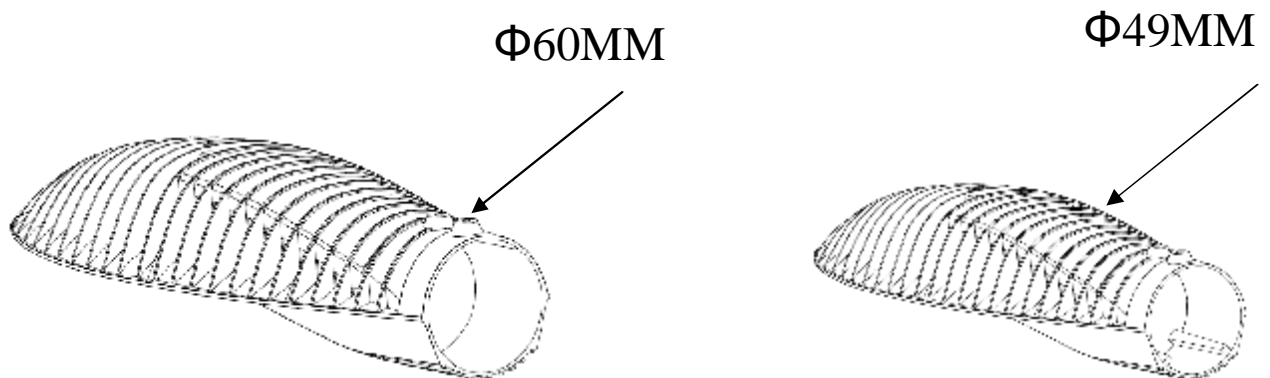
4. Main technical parameters

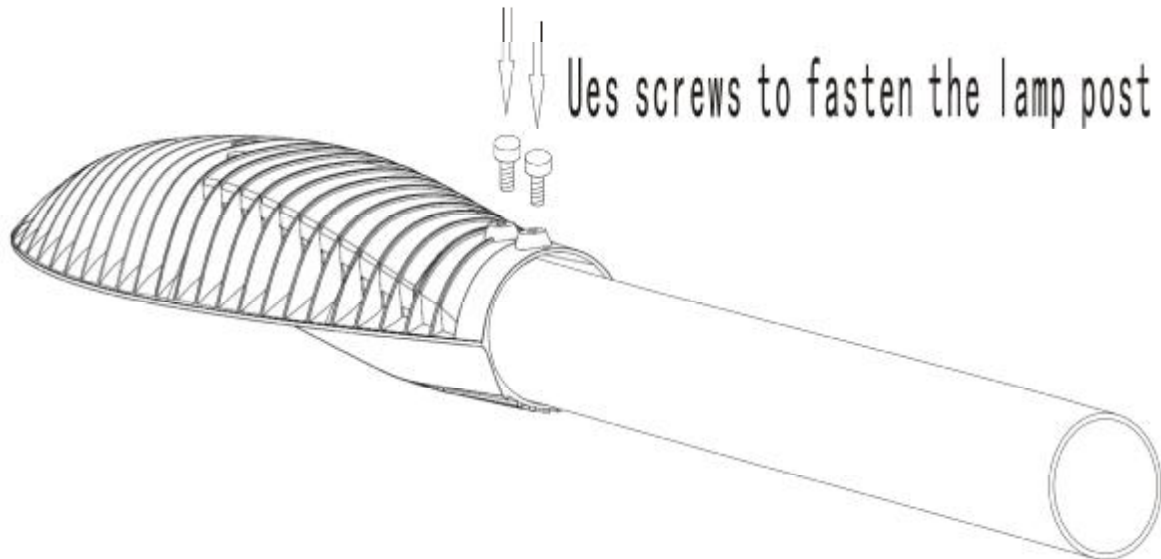
Item number	MY-ST640-W60
Color of temperature	6000±510K
Color Rendering Index	>70
Luminous Flux	7800 lm ± 200 lm
LED luminous efficiency	130 lm/w
Input wattage	DC12/24V AC 110-230V
System Consumption	66w ± 5W
Storage Temperature	-40~40°C
LED	Bridgelux
G.W/N.W.	5.52kg/ 4.9kg Inner box
*	
Master box(1 pc)	695*160*185mm

5. Light parameter



6. Installation





7. Attention for installation.

- Cut off the AC input power before installing on the lamp post.
 - Make sure install the lamp correctly to avoid lamp dropping from the lamp post.
 - Remove all kinds of covers before turn on the lamp.
 - Make sure the lamp connect a ground wire, and test before using.
 - Any problem due to disassembling, modifying, or installation not correctly would be out of the warranty.
-