

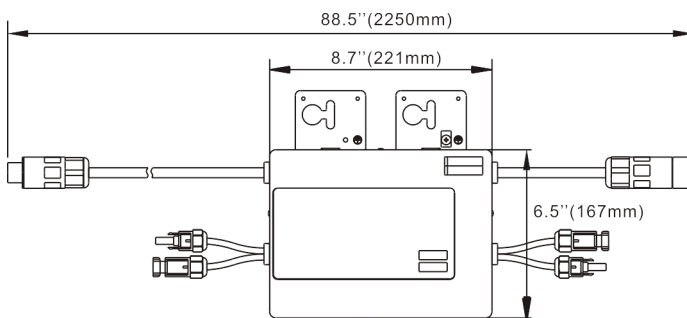


YC250/YC500

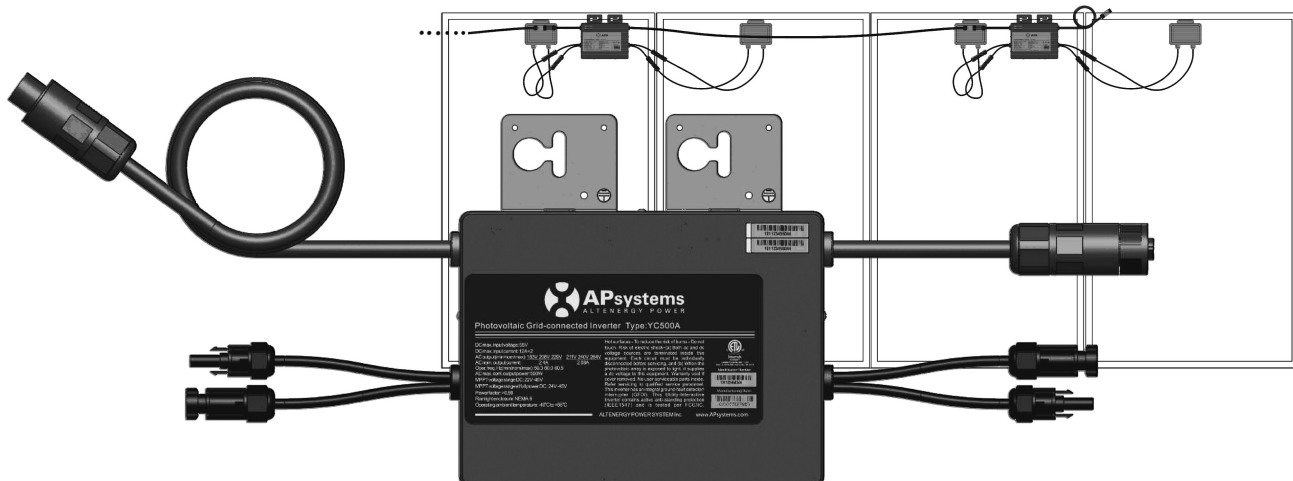
Microinverter

- Single unit connects one or two solar modules
- Maximum output power 500W
- Individual MPPT for each module
- Rated up to 310W

DIMENSIONS



Our flagship product, the APsystems YC500A is a grid-tied microinverter with intelligent networking and monitoring systems to ensure maximum efficiency. Highly dependable and cost effective, the YC500A handles up to 310W modules with negligible clipping, delivering 250W AC per module with dual MPPT. Half the inverters and half the installation means real cost savings for residential and commercial customers.



(For Europe)

APsystems YC250A/I-EU Microinverter Datasheet

Input Data (DC)

Recommended PV Module Power (STC)Range	180W-310W
MPPT Voltage Range	22V-45V
MPPT Voltage Range @ Full Power	26V-45V
Operation Voltage Range	16V-52V
Maximum Input Voltage	55V
Startup Voltage	22V
Maximum Input Current	10.5A
Maximum DC Short Circuit Current	15A

Output Data (AC)

Maximum Output Power	250W
Nominal Output Voltage	230V
Nominal Output Current	1.08A
Default Output Voltage Range	184V-253V*
Extended Output Voltage Range	149V-278V
Nominal Output Frequency	50Hz
Default Output Frequency Range	48Hz-51Hz*
Extended Output Frequency Range	45.1Hz -54.9Hz
Power Factor	>0.99
Total Harmonic Distortion	<3%
Maximum Current per Branch	25A
Maximum Units per Branch	14 for 20 Breaker**

Efficiency

Max. Inverter Efficiency	95.5% (With HF Transformer)
Night Power Consumption	120mW

Mechanical Data

Operating Ambient Temperature Range	-40 °F to +149 °F (-40 °C to +65 °C)
Storage Temperature Range	-40 °F to +185 °F (-40 °C to +85 °C)
Dimensions (W x H x D)	160mm X 150mm X 29mm (6.3" X 5.9" X 1.1")
Weight	3.3lbs/1.5kg
AC CABLE	4mm ²
Enclosure Rating	IP65
Cooling	Natural Convection
Wet Locations Classification	For Wet Locations
Pollution Degree Classification	PD3
Relative Humidity Ratings	0-95%
Maximum Altitude Rating	All data at this technical Specifications has been tested under <2000m
Overvoltage Category	OVC II for PV input circuit, OVC III for mains circuit

Features & Compliance

Communication	Power line
Design Lifetime	25yrs
Monitoring	Life monitoring via EMA software
Safety and EMC Compliance	EN 62109-1; EN 62109-2;EN61000-6-1; EN61000-6-2; EN61000-6-3; EN61000-6-4;
Grid Connection Compliance	EN50438

Specifications subject to change without notice - please ensure you are using the most recent update found at www.APsystems.com

* Programmable through ECU to meet customer need.
** Depending on the local regulations.

© All Rights Reserved

APsystems YC500A/I-EU Microinverter Datasheet

Input Data (DC)

Recommended PV Module Power (STC)Range	180W-310W
MPPT Voltage Range	22V-45V
MPPT Voltage Range @ Full Power	26V-45V
Operation Voltage Range	16V-52V
Maximum Input Voltage	55V
Startup Voltage	22V
Maximum Input Current	10.5A x 2
Maximum DC Short Circuit Current	15A

Output Data (AC)

Maximum Output Power	500W
Nominal Output Voltage	230V
Nominal Output Current	2.17A
Default Output Voltage Range	184V-253V*
Extended Output Voltage Range	149V-278V
Nominal Output Frequency	50Hz
Default Output Frequency Range	48Hz-51Hz*
Extended Output Frequency Range	45.1Hz -54.9Hz
Power Factor	>0.99
Total Harmonic Distortion	<3%
Maximum Current per Branch	25A
Maximum Units per Branch	7 for 20 Breaker**

Efficiency

Max. Inverter Efficiency	95.5% (With HF Transformer)
Night Power Consumption	120mW

Mechanical Data

Operating Ambient Temperature Range	-40 °F to +149 °F (-40 °C to +65 °C)
Storage Temperature Range	-40 °F to +185 °F (-40 °C to +85 °C)
Dimensions (W x H x D)	221mm X 167mm X 29mm (8.7" X 6.6" X 1.1")
Weight	5.5lbs/2.5kg
AC CABLE	4mm ²
Enclosure Rating	IP65
Cooling	Natural Convection
Wet Locations Classification	For Wet Locations
Pollution Degree Classification	PD3
Relative Humidity Ratings	0-95%
Maximum Altitude Rating	All data at this technical Specifications has been tested under <2000m
Overvoltage Category	OVC II for PV input circuit, OVC III for mains circuit

Features & Compliance

Communication	Power line
Design Lifetime	25yrs
Monitoring	Life monitoring via EMA software
Safety and EMC Compliance	EN 62109-1; EN 62109-2;EN61000-6-1; EN61000-6-2; EN61000-6-3; EN61000-6-4;
Grid Connection Compliance	EN50438

Specifications subject to change without notice - please ensure you are using the most recent update found at www.APsystems.com

* Programmable through ECU to meet customer need.

**Depending on the local regulations.

© All Rights Reserved