

# BLDC PUMP

**BL-A01**  
Series

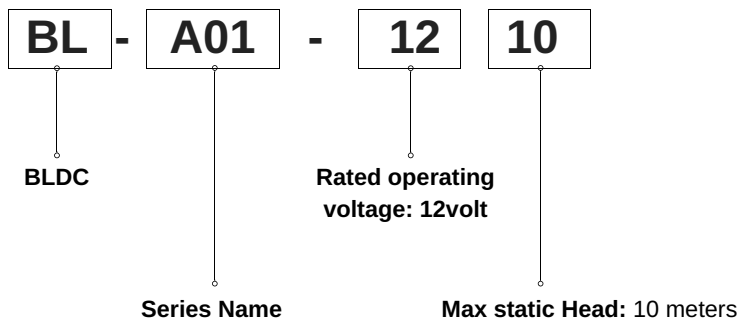


**Rated Voltage:** DC 12V/24V  
**Max Static Head:** 10M / 12M  
**Max Flow rate:** 3000LPH / 3300LPH  
**Input Power:** 80W/100W  
**Inlet Outer Diameter:** 1/2" thread  
**Outlet Outer Diameter:** 1/2" thread  
**Size:** 141.3x100x118mm  
**Weight:** about 900g  
**Material:** PA66+30%GF  
**Waterproof:** IP68  
**Noise:** less than 40dB  
**Liquid Temperature:** -40~125°C

## Main Features

- Sine Wave Silent Technology, Noise less than 40dB;
- Default with water shortage and stuck protection functions;
- Brushless DC motor, Magnetic Driven, Small size & High Efficiency;
- Long time continuous working, lifespan more than 20000 hours;
- Safety - no spark, Explosion-proof, IP68, 100% waterproof;
- Can be used to pump water, oil, acid and alkali solution.

## Model Code



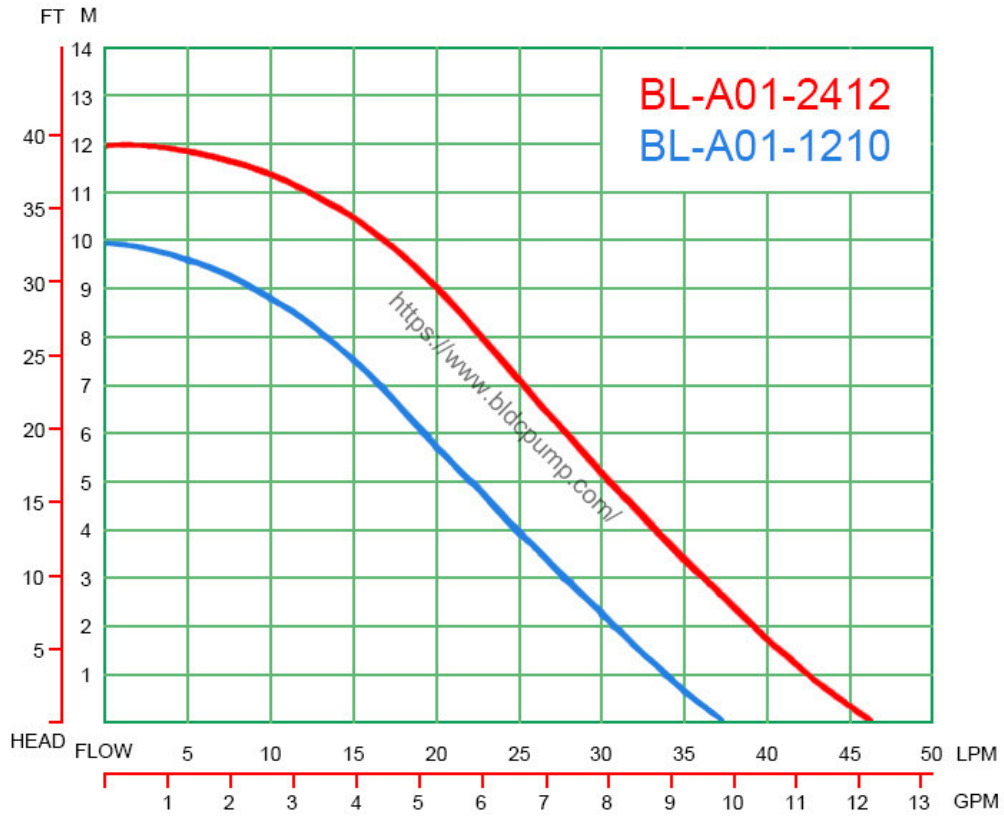
## Mode List

Model	Voltage (V)	Current (A)	Max flow (L/H)	Max head (M)
BL-A01-1210	12	6.7	3000	10
BL-A01-2412	24	4.0	3300	12

### Tips:

We offer customized service according to your specific needs at a reasonable price.

# Performance Curve



# Dimensions

